



TREVINIUM

by Hayward

SWIMMING POOL HEAT PUMP UNIT

Installation & Instruction Manual

Model HP55TR
 HP70TR



Hayward Pool Products Canada, Inc.
T: 1-888-238-7665
www.haywardpool.ca

CONTENTS

1. Preface	1
<hr/>	
2. Specifications	2
2.1 Performance Data of Swimming Pool Heat Pump Unit	2
2.2 Dimensions for Swimming Pool Heat Pump Unit	3
<hr/>	
3. Installation and Connection	4
3.1 Installation of System	4
3.2 Swimming Pool Heat Pumps: Location	5
3.3 How Close to your Pool?	5
3.4 Swimming Pool Heat Pumps: Plumbing	6
3.5 Swimming Pool Heat Pumps: Electrical Connection	7
3.6 Initial Start-Up of the Unit	7
3.7 Water Flow Setting	8
<hr/>	
4. Usage and Operation	9
4.1 The Functions of the LCD Controller	9
4.2 Usage of the Controller	9
4.3 Parameter Table	12
<hr/>	
5. Maintenance and Inspection	13
5.1 Maintenance	13
5.2 Trouble Shooting Guide	13
<hr/>	
6. Appendix	14
6.1 Connection of PCB: Illustration	14
6.2 Wiring Diagram	15
6.3 Exploded View and Spare Parts List	17
6.4 Warranty	20

1. PREFACE

In order to provide our customers with quality, reliability and versatility, this product has been made to strict production standards. This manual includes all the necessary information about installation, debugging, discharging and maintenance. Please read this manual carefully before you open or maintain the unit. The manufacturer of this product will not be held responsible if someone is injured or the unit is damaged as a result of improper installation, debugging, or unnecessary maintenance. It is vital that the instructions within this manual are adhered to at all times. The unit must be installed by qualified personnel.

- The unit can only be repaired by qualified installer centre personnel or an authorised dealer (HVAC).
- Maintenance and operation must be carried out according to the recommended time and frequency, as stated in this manual.
- Use genuine standard spare parts only.
- Failure to comply with these recommendations will invalidate the warranty.
- The Swimming Pool Heat Pump Unit heats the swimming pool water and keeps the temperature constant.

This type of pump has the following characteristics:

1. Durable

The heat exchanger is made of PVC & titanium; the tube can withstand prolonged exposure to corrosives such as chlorine.

2. Quiet operation

The unit comprises an efficient rotary compressor and a low noise fan motor, which guarantees its quiet operation.

3. Electronic control board

The unit is controlled by a micro-controller, allowing all operation parameters to be set. Operation status can be displayed on the control panel.

2. SPECIFICATIONS

2.1 Performance Data of Swimming Pool Heat Pump Unit

*** REFRIGERANT: R410A

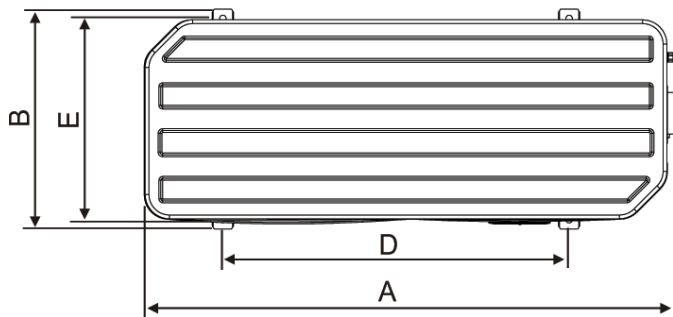
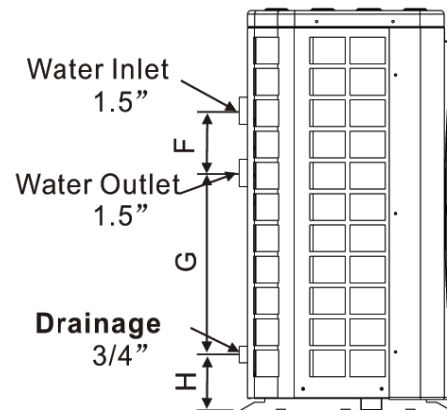
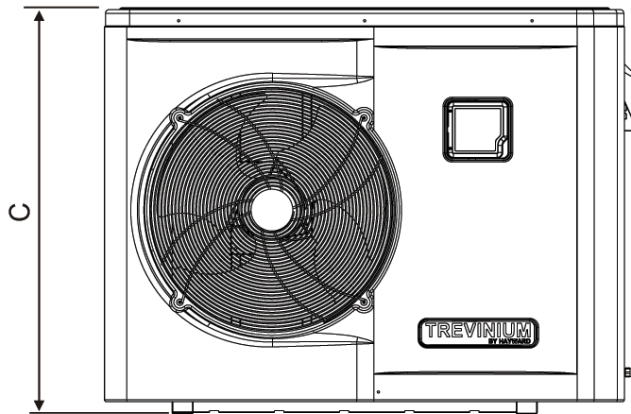
Unit	Model	HP55TR	HP70TR
Heating Capacity	kW	16.2	20.6
	BTU/h	55,000	70,000
Heating Power Input	kW	2.6	4.2
Running Current	A	11.8	18.96
Power Supply	V/Hz	208-230V~/60Hz	208-230V~/60Hz
Compressor Quantity		1	1
Compressor(s)		Rotary	Rotary
Fan Quantity		1	1
Fan Power Input	W	120	120
Fan Rotate Speed	RPM	850	850
Fan Direction		Horizontal	Horizontal
Noise (at 1 meter)	dB(A)	54	56
Water Connection	inch	1.5	1.5
Water Flow Volume Imperial/US	m ³ /h	4.5	6
Water Pressure Drop (max)	kPa	10	12
Unit Net Dimensions (L/W/H)	mm	1025/430/660	1140/430/875

Heating: Ambient temp (DB/WB): 24°C / 19°C
 Water temp (in/out): 26°C / 28°C

2. SPECIFICATIONS

2.2 Dimensions for the Swimming Pool Heat Pump Unit

Model: HP55TR / HP70TR

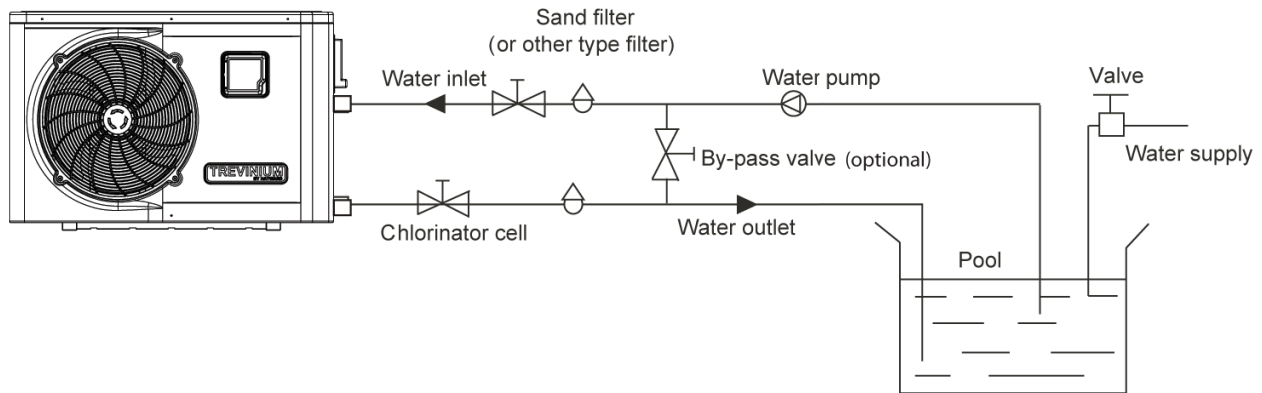


Unit:mm/inch

TYPE SIZE	HP55TR	HP70TR
A	1025/40.4	1140/44.9
B	455/17.9	470/18.5
C	660/26.0	875/34.5
D	630/24.8	740/29.2
E	430/17.0	430/17.0
F	120/4.8	120/4.8
G	270/10.6	400/15.8
H	82/3.3	82/3.3

3. INSTALLATION AND CONNECTION

3.1 Installation Illustration



Installation items:

The factory only provides the heat pump unit; the other items in the illustration are necessary spare parts for the water system, provided by users or the installer.

Attention:

Please follow these steps when using for the first time

1. Open valve and charge water
2. Make sure that the pump and the water-in pipe have been filled with water
3. Close the valve and start the unit

ATTN: It is necessary that the water-in pipe inlet be higher than the pool surface.

Installation must be performed in accordance with the requirements of NEC and CEC by authorized personnel only.

3. INSTALLATION AND CONNECTION

3.2 Swimming Pool Heat Pumps: Location

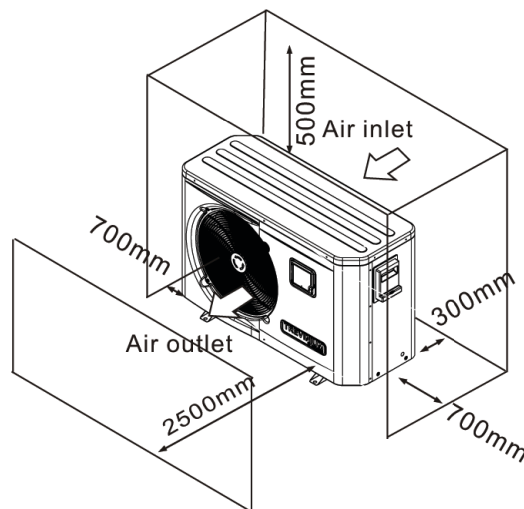
The unit will perform well in any outdoor location provided that the following three factors are present:

1. Fresh Air - 2. Electricity - 3. Pool filter piping

The unit may be installed virtually anywhere outdoors. For indoor pools consult the supplier. Unlike a gas heater, it has no draft or pilot light problem in a windy area.

DO NOT place the unit in an enclosed area with a limited air volume, where the units discharge air will be re-circulated.

DO NOT place the unit next to shrubs which can block the air inlet. These locations deny the unit a continuous source of fresh air which reduces its efficiency and may prevent adequate heat delivery.



3.3 How Close To Your Pool?

Normally, the pool heat pump is installed within 7.5 metres of the pool. The longer the distance from the pool, the greater the heat loss from the piping. For the most part, the piping is buried. Therefore, the heat loss is minimal for runs of up to 15 metres (15 metres to and from the pump = 30 metres total), unless the ground is wet or the water table is high. A very rough estimate of heat loss per 30 metres is 0.6 Kw-hour (2000BTU) for every 5°C difference in temperature between the pool water and the ground surrounding the pipe, which translates to 3% to 5% increase in operating time for the water to reach the desired temperature.

3. INSTALLATION AND CONNECTION

3.4 Swimming Pool Heat Pumps: Plumbing

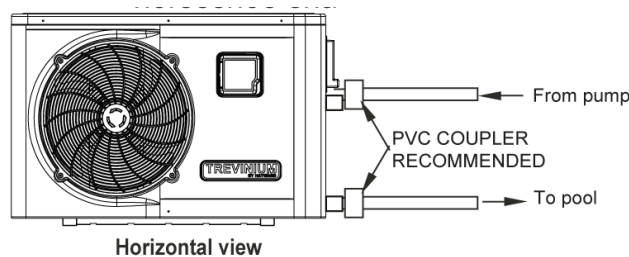
The Swimming Pool Heat Pumps exclusive rated flow titanium heat exchanger requires no special plumbing except bypass (please set the flow rate according to the nameplate). The water pressure drop is less than 1.5psi (10KPa) at maximum flow rate. Since there are no residual heat or flame temperatures, the unit does not need copper heat sink piping. PVC pipes can be run straight into the unit.

Location: connect the unit in the pool pump discharge (return) line downstream of all filter and pool pumps, and upstream of any chlorinators, ozonators or chemical pumps.

*You will need to use 1½” male PVC adapter to connect to heat pump.

Consider adding a quick coupler fitting at the unit inlet and outlet to allow easy draining of the unit for winterizing and to provide easier access should servicing be required.

Condensation: since the heat pump cools the air down about 4-5°C, water may condense on the fins of the horseshoe shaped evaporator. If the relative humidity is



very high, this could be as much as several litres an hour. The water will run down the fins into the basepan and drain out through the barbed plastic condensation drain fitted on the side of the basepan. This fitting is designed to accept 3/4" clear vinyl tubing which can be pushed on by hand and run to a suitable drain. It is easy to mistake the condensation for a water leak inside the unit.

NB: a quick way to verify that the water is condensation is to shut off the unit and keep the pool pump running. If the water stops running out of the basepan, it is condensation. AN EVEN QUICKER WAY IS TO TEST THE DRAIN WATER FOR CHLORINE - if there is no chlorine present, then it's condensation.

3. INSTALLATION AND CONNECTION

3.5 Swimming Pool Heat Pumps: Electrical Connection

NOTE: although the unit heat exchanger is electrically insulated from the rest of the unit, this simply prevents the flow of electricity to or from the pool water. Grounding the unit is still required to protect you against short circuits inside the unit.

NOTE: ensure that the available electrical Power supply and the network frequency are matched to the required operating current, taking account of the appliance's specific location and the current required to supply any other appliances connected to the same circuit.

- 1) See the wiring diagram chapter 6.3;
- 2) Ensure that the unit is supplied with the specified voltage. The terminal block is located on the right side of the unit. There are three connections for the Power supply and two connections for the filtering pump control (Enslavement). The Power supply line must be properly matched with a motor supply type fuse or a main circuit breaker to protect the circuit against voltage surges (refer to the nameplate for the voltage);
- 3) Always shut down the main Power supply before opening the electrical control box.

3.6 Initial Start-Up

Start-up Procedure. After installation is completed, you should follow these steps:

- 1) Switch on the filtering pump; verify flow to and from the pool.
- 2) Check that all the water valves are open and that the water flows into the unit before switching on heating or cooling;
- 3) Ensure that the unit is connected correctly to the main Power supply (refer to the wiring diagram or chapter 6);
- 4) Rotate the fan by hand to ensure that it turns freely and that the turbine is properly tightened with the motor shaft;
- 5) Check that the condensate drainage hose is properly attached and free of any blockages;
- 6) Switch on the power supply to the unit, then press the On/Off key on the wire controller;
- 7) Ensure that no ALARM code is displayed when the unit is ON (see Trouble shooting guide);
- 8) Set the water flow using the by-pass valve (see chapter 3.1) as described for each different model (see the control panel or chapter 2) to obtain a 2°C difference in water temperature.;
- 9) After running a few minutes make sure the air leaving the unit is cooler (between 5-10°C);
- 10) With the unit operating turn the filter pump off. The unit should also turn off automatically;
- 11) Allow the unit and pool pump to run 24 hours per day until desired pool water temperature is reached.
When the set water-inlet temperature is reached, the unit shuts off. The unit will now automatically restart (as long as your pool pump is running) when the pool temperature drops more than 2°C below set temperature.

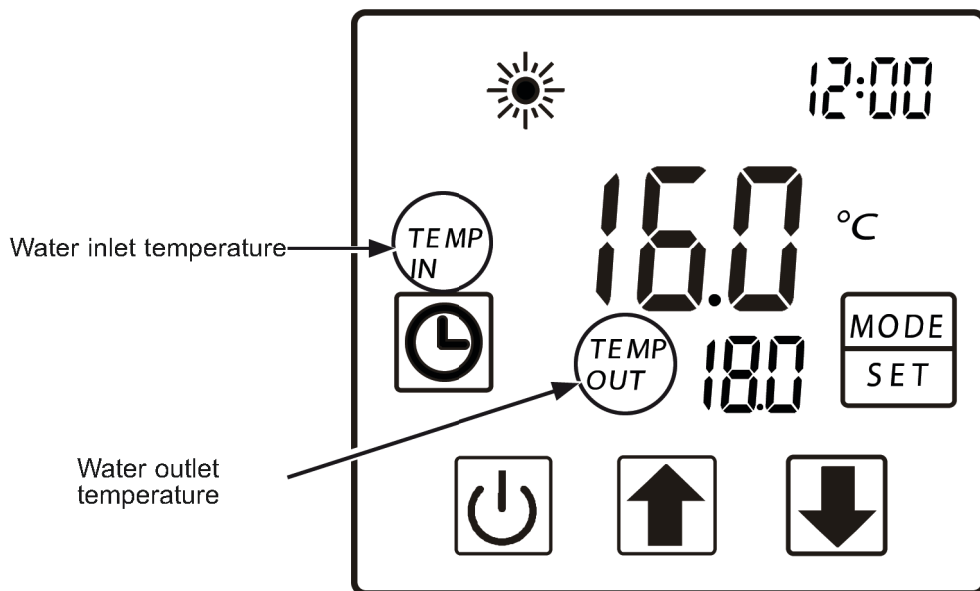
Water Flow Switch - the unit is equipped with a flow switch that turns it on when the pool pump is running and shuts it off when the pump shuts off. This switch is the same type used in all gas pool heaters and is factory adjusted for normal pool installations. If the pool water level is more than a few feet above or below the thermostat knob of the unit, your dealer may need to adjust it at initial start-up.

Time Delay - the unit is equipped with a 3 minute built-in solid state restart delay to protect control circuit components and to eliminate restart cycling and contactor chatter. This time delay will automatically restart the unit approximately 3 minutes after each control circuit interruption. Even a brief power interruption will activate the 3 minute restart delay and prevent the unit from starting until the 3 minute countdown is completed. Power interruptions during the delay period will have no effect on the 3 minute countdown.

3. INSTALLATION AND CONNECTION

3.7 Water Flow Setting

With the water entry and exit valves being open, adjust the by-pass valve in order to obtain a difference of 2°C between the inflow and outflow temperature (see principle diagram § 3.1). You can verify the switch by seeing the entry/exit temperatures directly on the control panel.

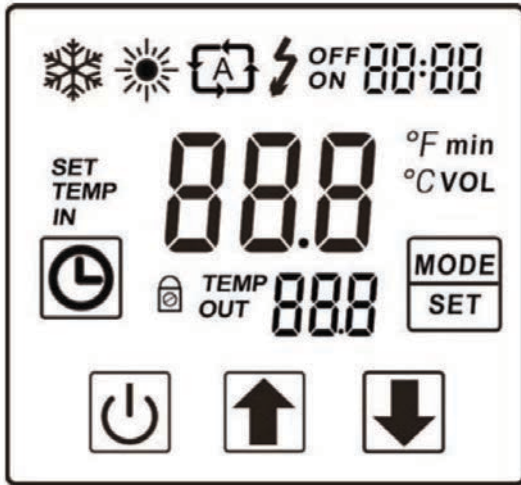


Note: Opening the by-pass valve creates a weaker flow, which leads to an increase in ΔT .
Closing the by-pass valve creates a stronger flow, which leads to a decrease in ΔT .

4. USAGE AND OPERATION

4.1 Function of the LCD Controller

User Interface and Usage as the following:



Directions

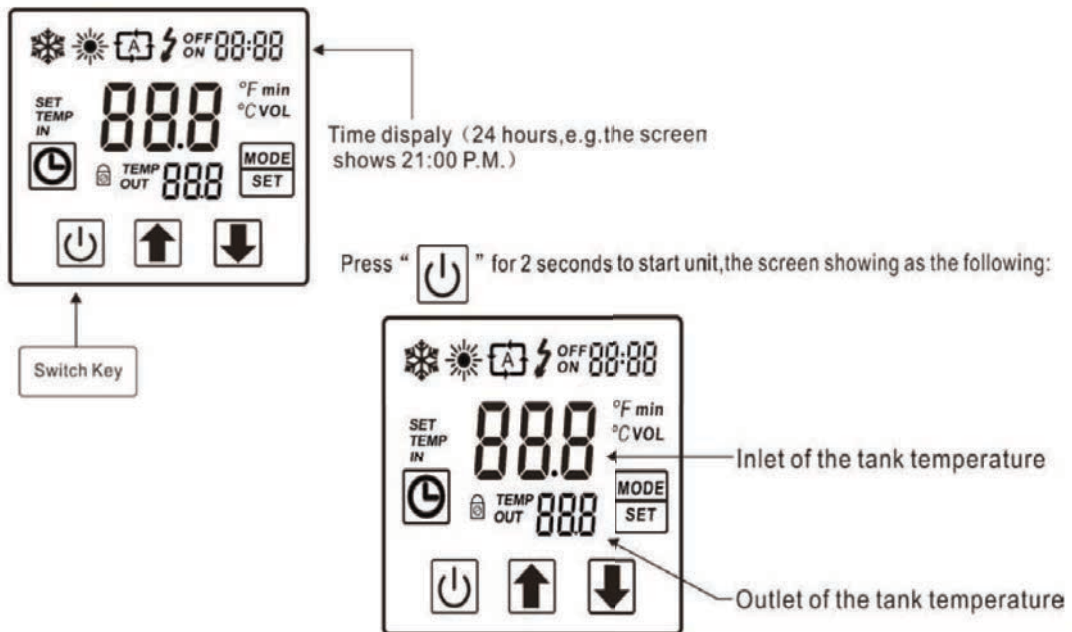
- Refrigeration symbols, Displayed when refrigeration (ON/OFF No LIMIT)
- Heating Symbols, Displayed when heating (ON/OFF NO LIMIT)
- Automatic mode symbol (Temporarily useless)
- Clock, timer function button
- Tool button
- ON/OFF key, cancel key (cancel the current operation, Back to the previous step of the operation)
- Down key
- Up key

Closing screen if no action in two minutes

4.2 Usage of the Controller

1) Electrify

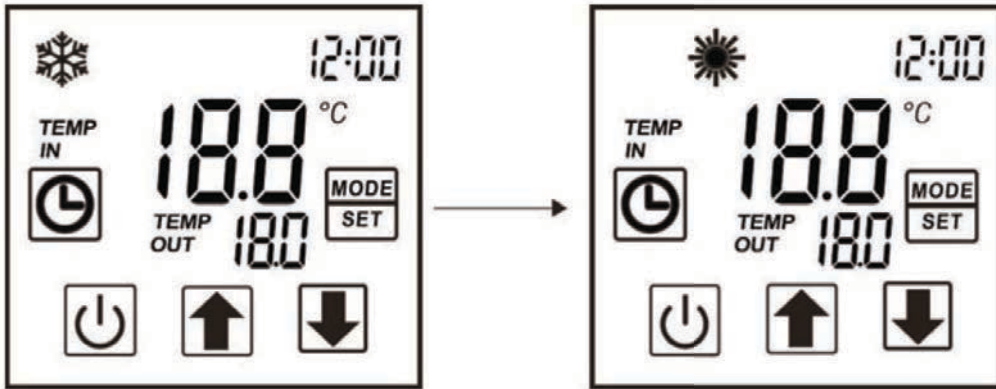
After checking everything is okay, electrify and enter into standby state, with the screen showing as the following:



4. USAGE AND OPERATION

2) Switch mode

on the main screen, a long press on "MODE SET" for 2S, the unit switches between cooling or heating mode



3)Parameter setting

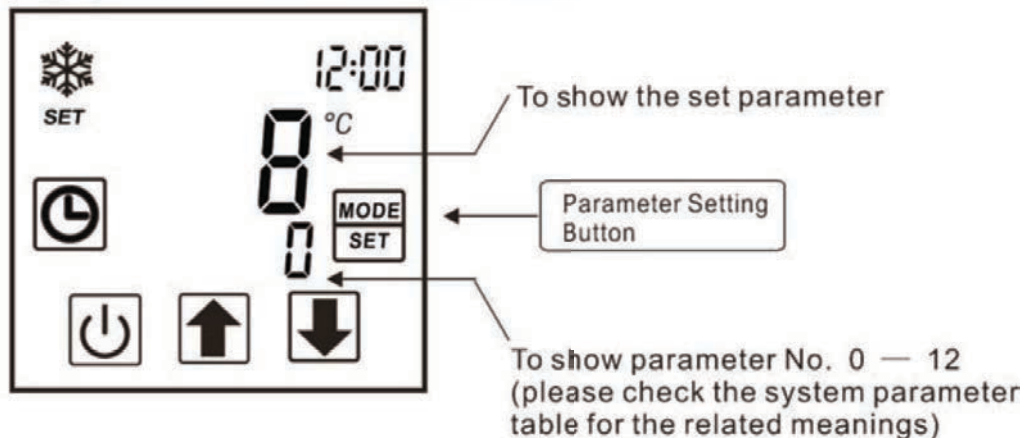
1. In Cooling mode, on the main screen, pressing "↑" or "↓" can directly change the setting value of current parameter 00.

2. In Heating mode, on the main screen, pressing "↑" or "↓" can directly change the setting value of current parameter 01.

3. Single click "MODE SET" to enter Parameter Interface, press "↑" or "↓" can select diverse paraments, single click the tool button again, immediately modify the parameters. 00 and 01 parameters can be modified in the boot state. Other parameters that non-factory commissioning officers can not enter. De-bug interface with








long-term key "MODE SET" 10s, the remote control unit Auto-Jump factory debug interface.

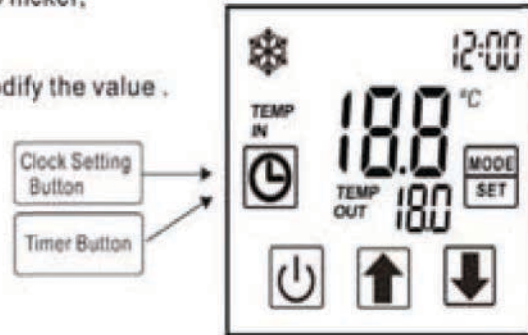
In the interface, All parameters can be modified in the boot state. After re-power, Factory debugging interface will not be allowed to re-enter.








4. USAGE AND OPERATION

4) Set Clock



Single click "  ", two numpads of the clock will flicker, single click "  " again, hours bit starts to flicker, this moment pressing "  " or "  " can modify the value; single click "  " once more, minutes bit starts to flicker, this moment press "  " or "  " can modify the value .

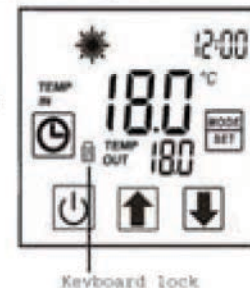


5) Timer



single click "  ", two keypad of the clock flicker, this moment pressing "  " or "  " can select timing switch settings. If ON and clock's Hours and minutes-bit flicker together, then continuous to singly click "  " to enter timer-power-set (Next steps mode is the same as clock set); If OFF and clock's Hours and minutes-bit flicker together, then continuous to singly click "  " enter timer-power-set.

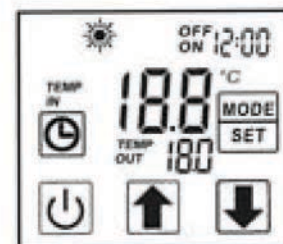
6) KEYLOCK

a long press on "  " for 5 seconds on the main screen, the keyboard can be locked, displaying an icon "  " .



7) Temperature Display Conversion

Press "  " and "  " at the same time for 5 seconds to choose Celsius degree or Fahrenheit degree display



4. USAGE AND OPERATION

4.3 Parameter Table

Digit	meaning	Range	default	Adjust(yes/no)
R01	Return water temp. Setting(cooling mode)	/	27℃	Adjustable
R02	Return water temp. Setting(heating mode)	18-35	27℃	Adjustable
R03	Return water temp. Setting(auto mode)	/	27℃	Adjustable
T02	Inlet water temp.	/	True testing figure	
T03	Outlet water temp.	/	True testing figure	
T04	Pipe temp.	/	True testing figure	
T05	Ambient temp.	/	True testing figure	
T01	Evaporator temp.	/	True testing figure	

5. MAINTENANCE AND INSPECTION

5.1 Maintenance

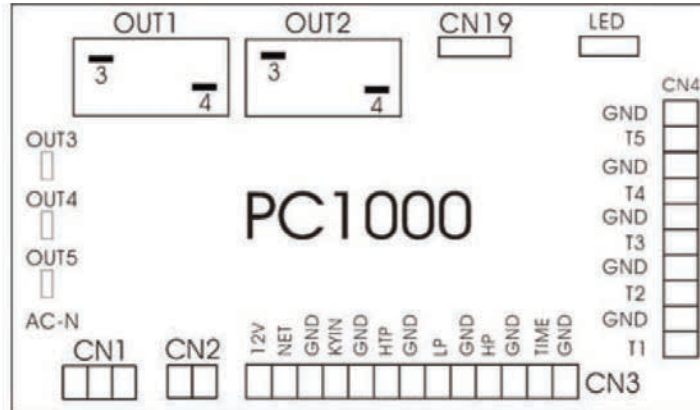
- Check the water supply device and the release often. You should avoid the condition of no water or air entering into the system as this will influence the unit's performance and reliability. You should clear the pool/spa filter regularly to avoid damage to the unit as a result of a clogged filter.
- The area around the unit should be dry, clean and well ventilated. Clean the side heating exchanger regularly to maintain good heat exchange and conserve energy.
- The operation pressure of the refrigerant system should only be serviced by a certified technician.
- Check the power supply and cable connection often. Should the unit begin to operate abnormally, switch it off and contact your qualified technician.
- Discharge all water in the water pump and water system, so that freezing of the water-inlet the pump or water system does not occur. You should discharge the water at the bottom of the water pump if the unit will not be used for an extended period of time. You should check the unit thoroughly and fill the system with water fully before using it for the first time after a prolonged period of no usage.
- Installation must be performed in accordance with the NEC/CEC by authorized person only.

5.2 Troubleshooting Guide

Malfunction	LCD Controller	Reason	Resolution
Water inlet temp. Sensor failure	P01	The sensor is open or short circuit	Check or change the sensor
Water outlet temp. Sensor failure	P02	The sensor is open or short circuit	Check or change the sensor
Coil sensor failure	P05	The sensor is open or short circuit	Check or change the sensor
Ambient sensor failure	P04	The sensor is open or short circuit	Check or change the sensor
Temp. differential between water-in and water-out is too large	E06	Water flow volume not enough, water pressure difference is too low	Check the water flow volume, or system obstruction.
Anti freezing under cooling mode	E07	Outlet water is too low	Check the water flow volume or outlet water temp. sensor
The first class freezing protection in winter	E19	Ambient or inlet water temp. is too low	
The second class freezing protection in winter	E29	Ambient or inlet water temp. is too lower	
High pressure protect	E01	Gas System pressure is too high	Check through the high pressure switch and the gas system pressure to judge whether the gas loop is blocked or the freon is suitable
Low pressure protect	E02	Gas System pressure is too low	Check through the low pressure switch and the gas system pressure to judge whether there is leaking or the freon is not enough;
Flow switch failure	E03	No water/little water in water system.	Check the water flowvolume, water pump and flowswitch is failure or not
3times water-in and water-out temp. differece protection in 30 minutes	E06	Water flow rate not enough	Check the water flow rate, or water system is jammed or not
Defrosting	Defrost Code Display		
Communication failure	E08	LED controller and The PCB connection failure	Check the wire connection

6. APPENDIX

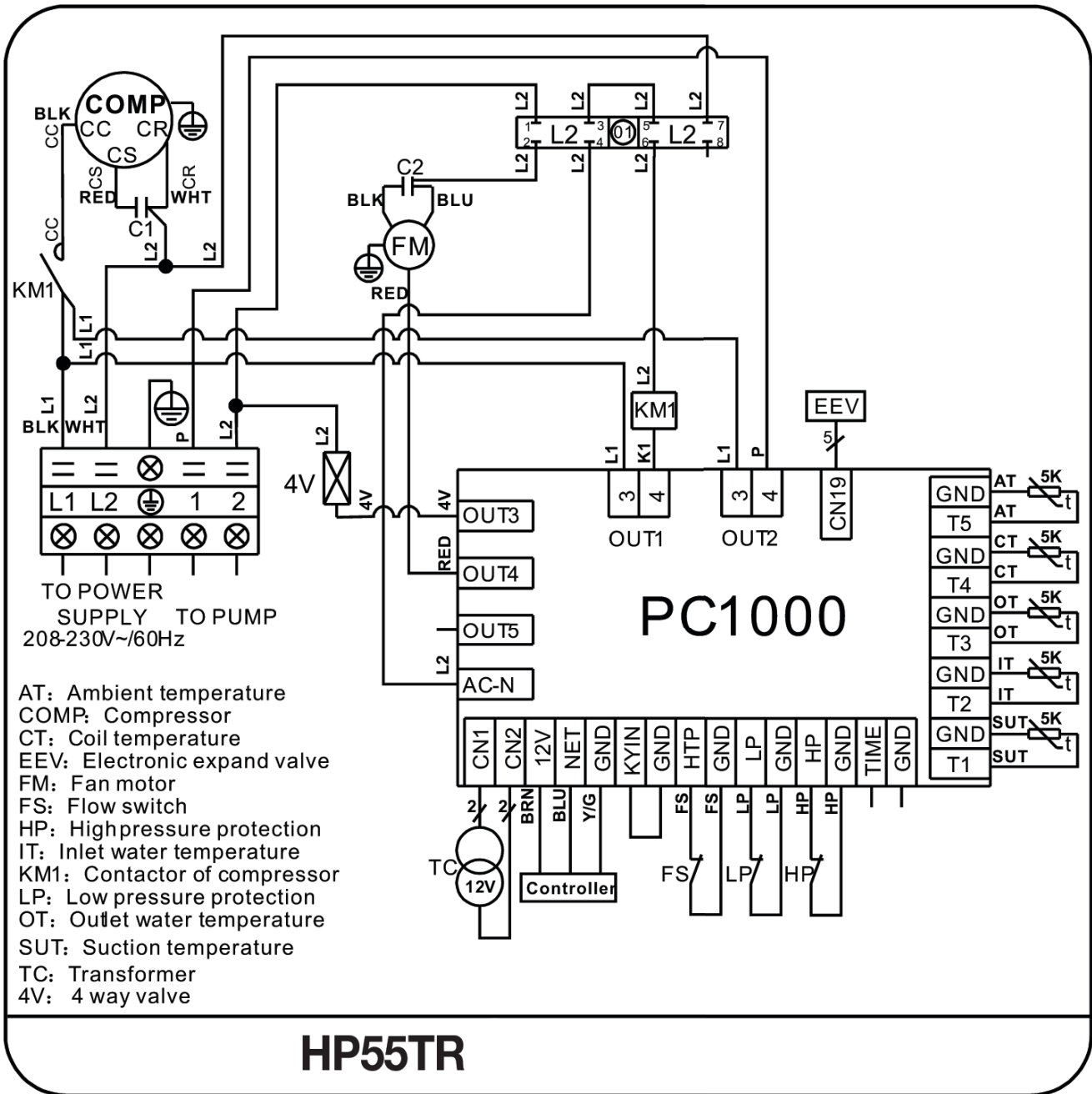
6.1 Connection of PCB Illustration



No.	symbol	meaning
1	OUT1	Compressor of system1 (220-230VAC)
2	OUT2	Water pump (220-230VAC)
3	OUT3	4way valve (220-230VAC)
4	OUT4	High speed of fan motor (220-230VAC)
5	OUT5	Low speed of fan motor (220-230VAC)
6	AC-N	Neutral wire
7	NET GND 12V	Wire controller
8	KYIN	On/Off Switch(input)(no use)
9	HTP GND	Flow switch (input)(normal close)
10	LP GND	Low pressure protect
11	HP GND	High pressure protect
12	TIME GND	No use
13	T1 GND	Suction temp.(input)
14	T2 GND	Water in temp.(input)
15	T3 GND	Water out temp.(input)
16	T4 GND	Temp. Of coil (input)
17	T5 GND	Ambient temp.(input)

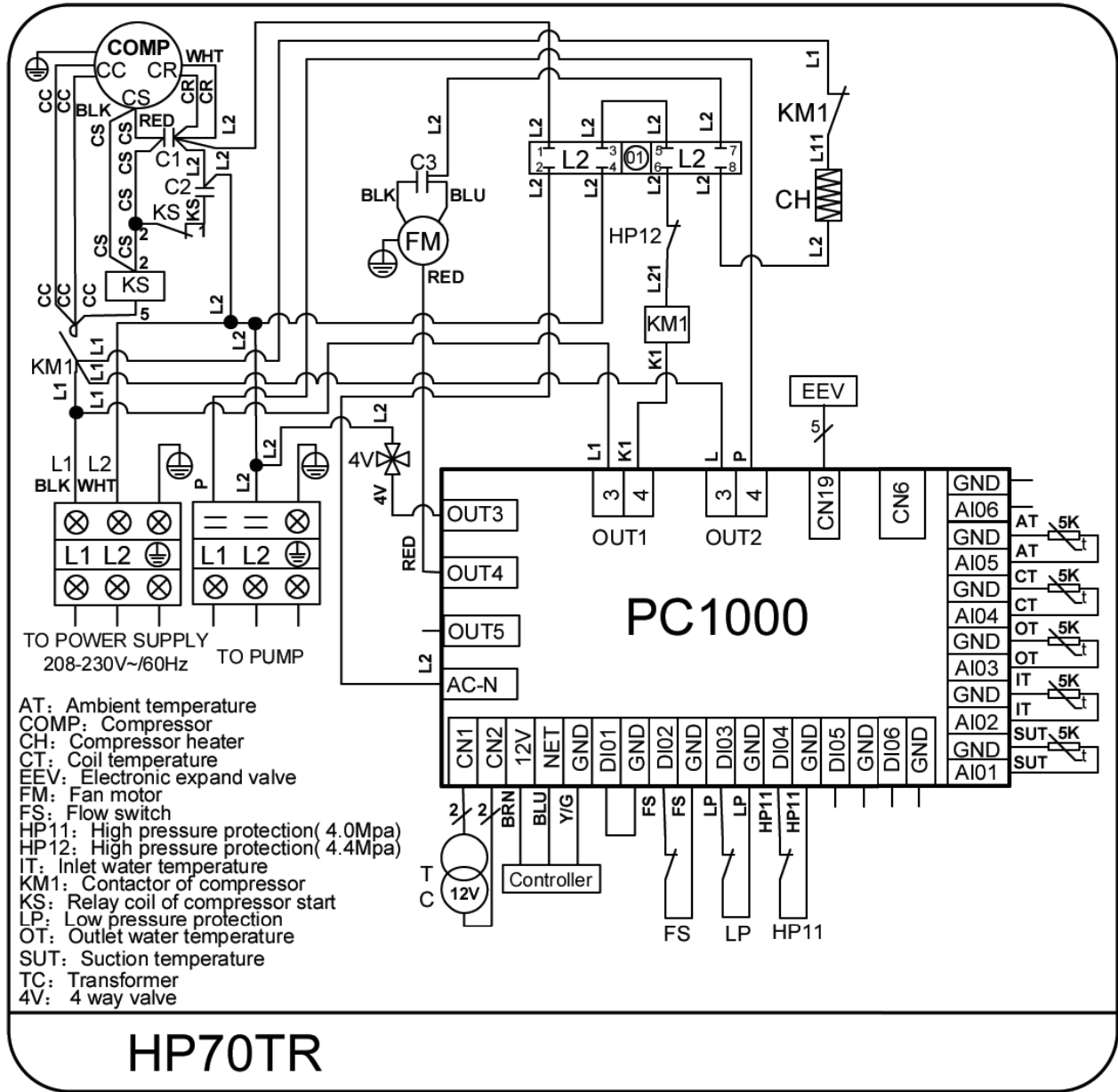
6. APPENDIX

6.2 Wiring Diagram - HP55TR



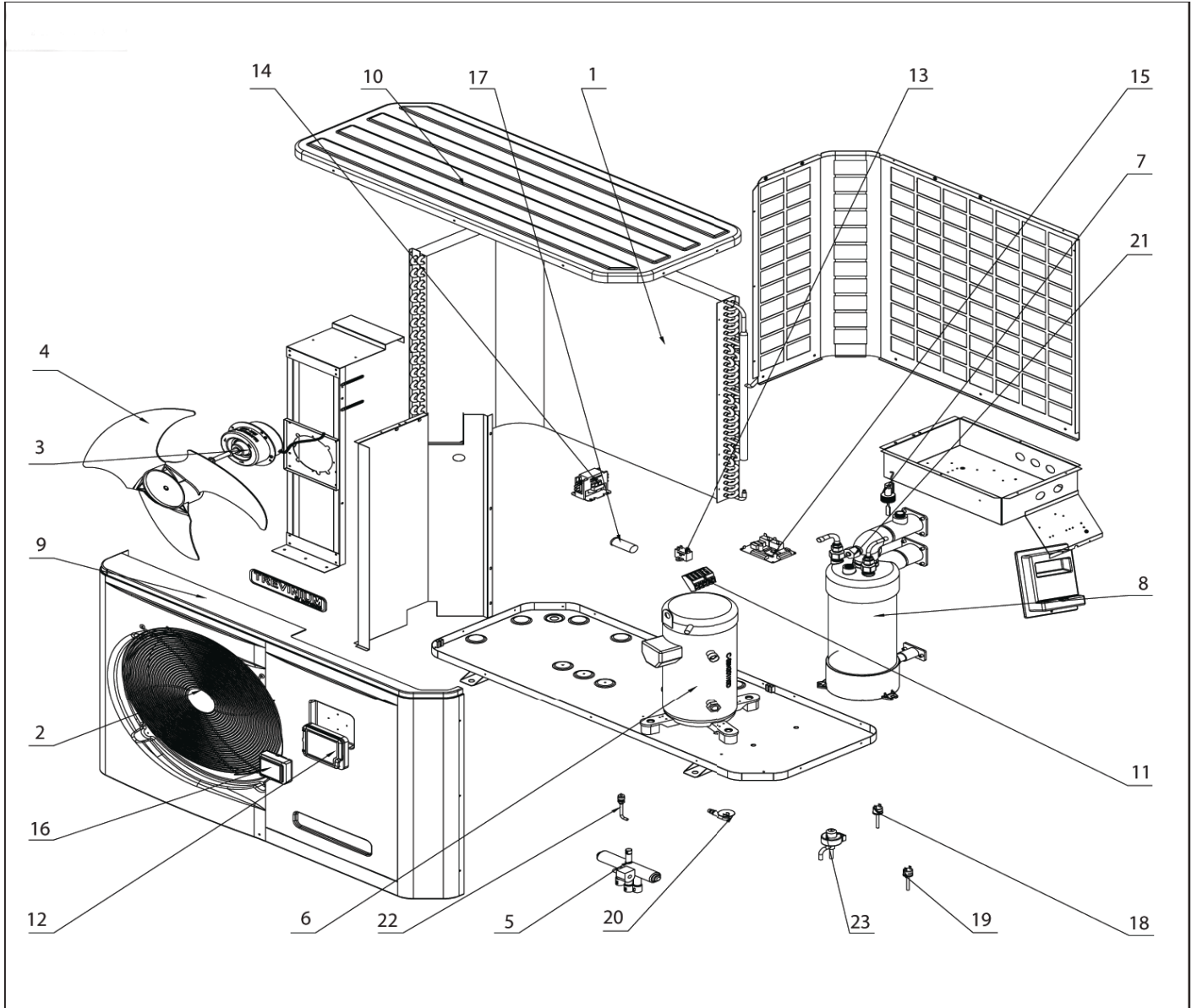
6. APPENDIX

6.2 Wiring Diagram - HP70TR



6. APPENDIX

6.3 Exploded View - HP55TR



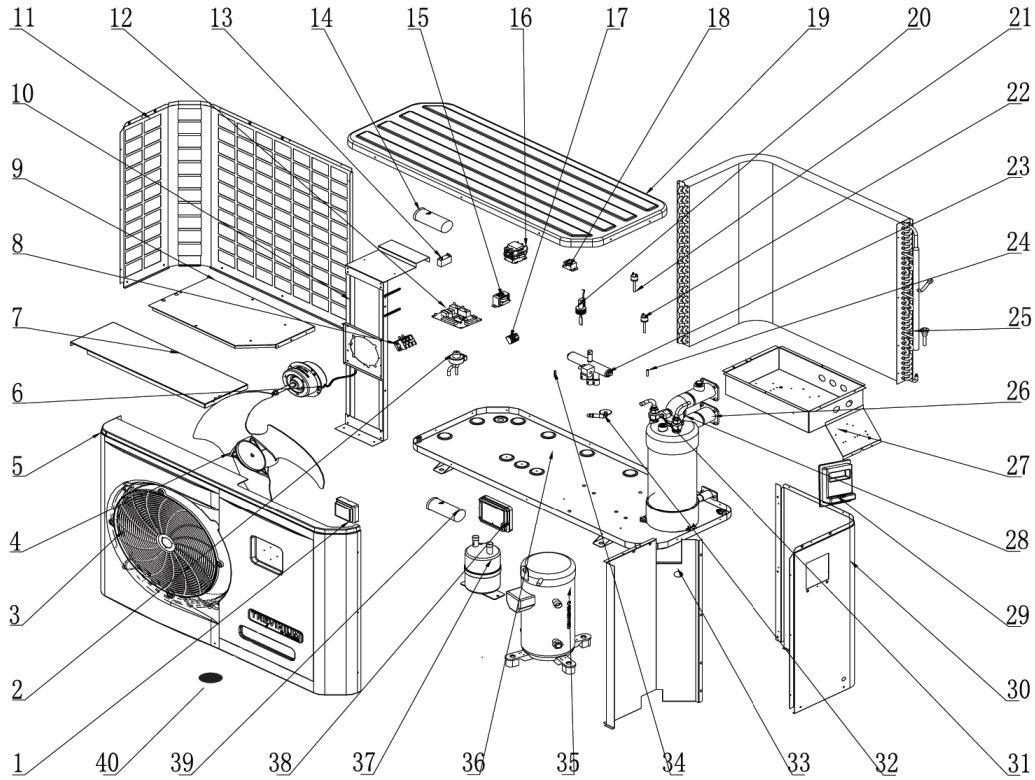
6. APPENDIX

6.3 Spare Parts List - HP55TR

SN	Part Code	Part Name	Part Number
1	3407-1202	Evaporator	HPX3407-1202
2	20000-220188	Fan Net	HPX20000-220188
3	20000-330124	Fan Motor	HPX20000-330124
4	3500-2701	Axis Blower Fan	HPX3500-2701
5	2004-1437	4 Way Valve	HPX2004-1437
6	20000-110041	Compressor	HPX20000-110041
7	20000-360005	Water Flow Switch	HPX20000-360005
8	32008-120008	Titanium Tube Heat Exchanger	HPX32008-120008
9	32008-220020	Front Panel	HPX32008-220020
10	32008-220021	Cover	HPX32008-220021
11	2001-3907	Terminal	HPX2001-3907
12	20000-220068	Controller Cover	HPX20000-22068
13	2000-3501	Fan Capacitor	HPX2000-3501
14	20000-360006	AC Contactor	HPX20000-360006
15	95005-310145	Main Control Board	HPX95005-310145
16	95005-310247	LCD Controller	HPX95005-310247
17	2000-3505	Compressor Capacitor	HPX2000-3505
18	2000-3603	Low Pressure Switch	HPX2000-3603
19	2001-3605	High Pressure Switch	HPX2001-3605
20	2001-1345	Drain Plug	HPX2001-1345
21	2000-3242	Temp Sensor (Coil, inlet, outlet)	HPX2000-3242
22	20000-140152	Needle Valve	HPX20000-140153
23	2003-1402	Electronic Expansion Valve	HPX2003-1402

6. APPENDIX

6.3 Exploded View and Spare Parts List - HP70TR



No.	Part Number	Part Name	No.	Part Number	Part Name
1	HPX95005-310247	LCD Controller	21	HPX2001-3605	High Pressure Switch
2	HPX20000-140151	Electronic Expansion Valve	22	HPX2000-3603	Low Pressure Switch
3	HPX20000-220169	Fan Protection Grille	23	HPX2001-1491	4-Way Valve
4	HPX20000-270004	Fan Blade	24	HPX2000-3242	Coil Temp. Sensor
5	HPX32009-22015	Front Panel	25	HPX35012-120001	Evaporator
6	HPX20000-330134	Motor	26	HPX32010-120003	Titanium Pipe Heat Exchanger
7	N/A	Support Panel	27	N/A	Electrical Box
8	HPX2001-3906	Terminal Block 3 Connection	28	HPX2000-3242	Water Outlet Sensor
9	N/A	Electrical Box Cover	29	N/A	Handle
10	N/A	Motor Support	30	N/A	Right Panel
11	N/A	Left Panel	31	HPX2000-3242	Water Inlet Sensor
12	HPX95005-310145	PC1000 Controller	32	HPX3400-2203	Drain Connector
13	HPX2000-3509	Fan Motor Capacitor (5uF)	33	N/A	Middle Panel
14	HPX2000-3510	Compressor Running Capacitor (60uF)	34	HPX2000-3242	Ambient Temp. Sensor
15	HPX20000-370003	Transformer	35	HPX20000-110142	Compressor
16	HPX20000-360007	AC Contactor	36	N/A	Chassis
17	HPX2001-3909	Terminal Block 3 Connection	37	HPX3500-1401	Gas Liquid Separator
18	HPX20000-360035	Relay	38	HPX20000-220068	Waterproof Box
19	N/A	Top Cover	39	HPX2000-3524	Compressor Start Capacitor (98uF)
20	HPX20000-360005	Water Flow Switch	40	HPX2000-1345	Drain Plug

6. APPENDIX

6.4 Warranty

HAYWARD® HEAT PUMP POOL HEATERS LIMITED WARRANTY

The HAYWARD heat pump pool heater is warranted to be free of defects in materials and workmanship for a period of one (1) year for parts and (1) one year for labor.

Warranty is applicable to the original location and owner only and is not transferable. The *compressor* component has a two (2) year limited warranty with parts & labour warranted the first year and parts only warranted in year two.

The *titanium tube* component of the heat exchanger has a five (5) year parts only warranty.

HAYWARD will not void this warranty due to improper pool chemistry.

This warranty is valid only if the product is installed according to the HAYWARD specifications.

This warranty does not include refrigerant or other expendable materials, or services such as inspection, maintenance, or unnecessary service calls due to erroneous operational reports, external valve position, or electrical service. It also does not include the repair of damage due to negligence, accident, freezing, or other conditions beyond the normal intended use of the unit. This warranty is void if the product is repaired or altered in any way by any persons or agencies other than those authorized by HAYWARD, and is in lieu of all other warranties, expressed or implied, written or oral. There are no implied warranties of merchantability or fitness for a particular purpose that apply to this product. This warranty applies only within Canada.

At its option, HAYWARD will replace or repair any HAYWARD part that proves defective if such parts are returned to our factory, freight collect, within the warranty period. It is agreed that such replacement or repair is the exclusive remedy available from HAYWARD. Unless authorized by HAYWARD and performed by a factory authorized service center, HAYWARD is not liable for any labor involved in the removal of defective parts or the installation of replacement parts. HAYWARD is not liable for damages of any sort whatsoever, including incidental and consequential damages. Parts returned and services performed under terms of this warranty must be approved by HAYWARD. All parts returned under terms of this warranty will be repaired or replaced and returned transportation charges prepaid, by best and most economical means.

Hayward Pool Products Canada, Inc.
2880 Plymouth Drive
Oakville, ON L6H 5R4

Retain this Warranty Certificate in a safe and convenient location for your records



Hayward Pool Products Canada, Inc.
T: 1-888-238-7665
www.haywardpool.ca



TREVINIUM

par Hayward

THERMOPOMPE POUR PISCINE

Manuel d'instructions et d'installation

Modèle HP55TR
 HP70TR



Hayward Pool Products Canada, Inc.
T: 1-888-238-7665
www.haywardpool.ca

SOMMAIRE

1. Préface	1
<hr/>	
2. Caractéristiques techniques	2
2.1 Données techniques de la pompe à chaleur	2
2.2 Dimensions	3
<hr/>	
3. Installation et raccordement	4
3.1 Illustration de l'installation	4
3.2 Thermopompe	5
3.3 A quelle distance de la piscine l'installer	5
3.4 Installation des conduites	6
3.5 Raccordement électrique	7
3.6 Premier démarrage	7
3.7 Réglage du débit d'eau	8
<hr/>	
4. Utilisation et fonctionnement	9
4.1 Fonctions du contrôleur LCD	9
4.2 Utilisation du contrôleur	9
4.3 Table de paramètres	12
<hr/>	
5. Entretien et inspection	13
5.1 Entretien	13
5.2 Guide de dépannage	13
<hr/>	
6. Annexe	14
6.1 Schéma de raccordement du PCB	14
6.2 Schéma de câblage	15
6.3 Vue éclatée et liste des pièces	17
6.4 Garantie	20

1. PREFACE

Pour que vos clients puissent bénéficier de qualité, fiabilité et flexibilité, ce produit a été conçu pour satisfaire strictement aux normes de fabrication. Le présent manuel inclut toutes les informations nécessaires concernant l'installation, l'élimination des dysfonctionnements, le destockage et l'entretien. Veuillez lire attentivement ce manuel avant d'ouvrir l'unité, ou de réaliser des opérations d'entretien sur celle-ci. Le fabricant de ce produit ne sera en aucun cas tenu responsable en cas de blessure d'un utilisateur ou d'un endommagement de l'unité suite à d'éventuelles erreurs lors de l'installation, de l'élimination des dysfonctionnements, ou d'un entretien inutile. Il est primordial de suivre à tout moment les instructions spécifiées dans ce manuel. L'unité doit être installée par un personnel qualifié.

- Les réparations peuvent seulement être effectuées par le personnel qualifié du centre d'installation ou un distributeur agréé (HVAC).
- L'entretien et les différentes opérations doivent être réalisés à la fréquence et aux moments recommandés, tel que spécifié dans le présent manuel.
- N'utilisez que des pièces détachées originales normalisées.
- Toute recommandation non suivie annule la garantie.
- L'unité de thermopompe réchauffe l'eau de la piscine, et maintient une température constante.

Ce type de pompe présente les caractéristiques suivantes :

1. Durabilité

L'échangeur thermique est réalisé en PVC & titane ; le tube est en mesure de résister à une exposition prolongée aux agents corrosifs, tels que le chlore.

2. Faible niveau sonore

L'unité comprend un compresseur rotatif efficace et un moteur de ventilateur à bruit réduit, qui garantit un faible niveau sonore en service.

3. Tableau de commande électronique

L'unité est commandée par micro-contrôleur, qui permet de définir tous les paramètres de fonctionnement. L'état de fonctionnement peut être affiché sur le panneau de commande.

2. CARACTERISTIQUES TECHNIQUES

2.1 Données techniques de la thermopompe

*** REFRIGERANT: R410A

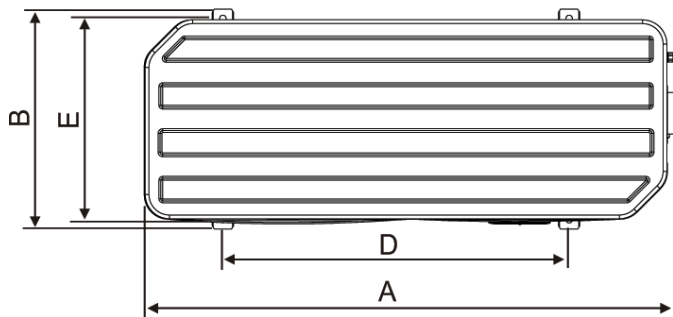
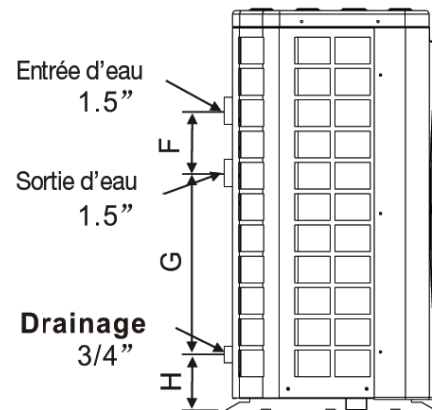
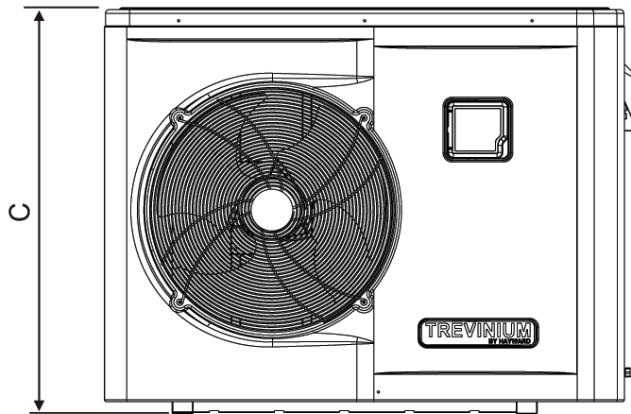
Unit	Modèle	HP55TR	HP70TR
Capacité calorifique	kW	16,2	20,6
	BTU/h	55 000	70 000
Puissance calorifique à l'entrée	kW	2,6	4,2
Courant de fonctionnement	A	11,8	18,96
Alimentation électrique	V/Hz	208-230V~/60Hz	208-230V~/60Hz
Nombre de compresseurs		1	1
Type de compresseur		Rotatif	Rotatif
Nombre de ventilateurs		1	1
Puissance du ventilateur	W	120	120
Vitesse de rotation du ventilateur	RPM	850	850
Direction du ventilateur		Horizontale	Horizontale
Niveau de pression sonore (à 1 mètre)	dB(A)	54	56
Raccordement hydraulique	inch	1,5	1,5
Débit d'eau	m ³ /h	4,5	6
Perte de charge sur l'eau (max)	kPa	10	12
Dimensions nettes de l'unité (L/l/h)	mm	1025/430/660	1140/430/875

Chauffage: Température Ambiante (BS/BM): 24°C / 19°C
 Température de l'eau (entrer/sortie): 26°C / 28°C

2. CARACTERISTIQUES TECHNIQUES

2.2 Dimensions

Modèle: HP55TR / HP70TR

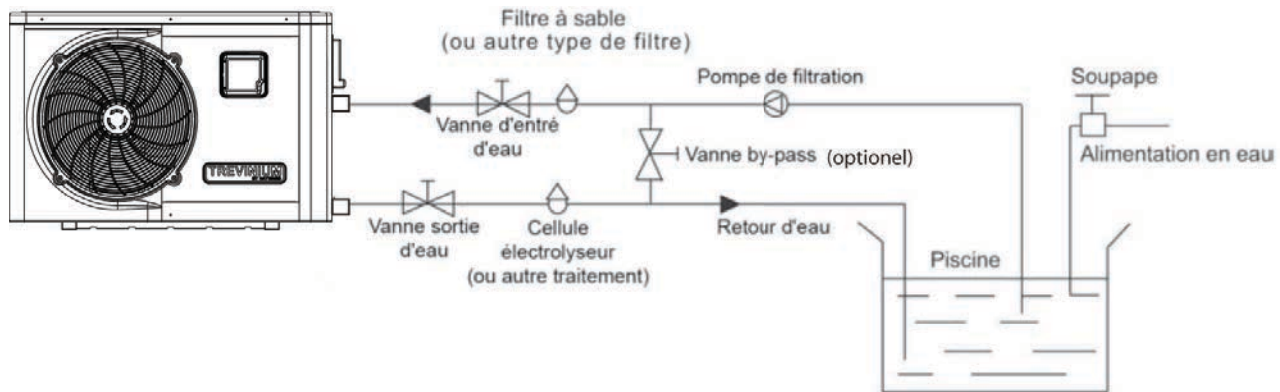


Unité: mm/po

TYPE Taille	HP55TR	HP70TR
A	1025/40.4	1140/44.9
B	455/17.9	470/18.5
C	660/26.0	875/34.5
D	630/24.8	740/29.2
E	430/17.0	430/17.0
F	120/4.8	120/4.8
G	270/10.6	400/15.8
H	82/3.3	82/3.3

3. INSTALLATION ET RACCORDEMENT

3.1 Illustration de l'installation



Accessoires d'installation

L'usine ne fournit que l'unité de thermopompe ; les autres accessoires représentés sur l'illustration sont des pièces détachées nécessaires pour le système d'alimentation en eau : ils sont fournis par l'utilisateur ou l'installateur.

Attention:

Suivre attentivement les étapes suivant lors de la mise en marche initiale

- Ouvrir toute la vanne et remplir avec de l'eau
- Assurez-vous que la pompe et les boyaux sont plein d'eau
- Fermer la vanne et démarrer la thermopompe

ATTENTION: Il est peut être nécessaire que les boyaux doivent êtres plus haut que la piscine

L'installation doit être effectuée conformément aux exigences de NEC et CEC par le personnel autorisé seulement.

3. INSTALLATION ET RACCORDEMENT

3.2 Thermopompe

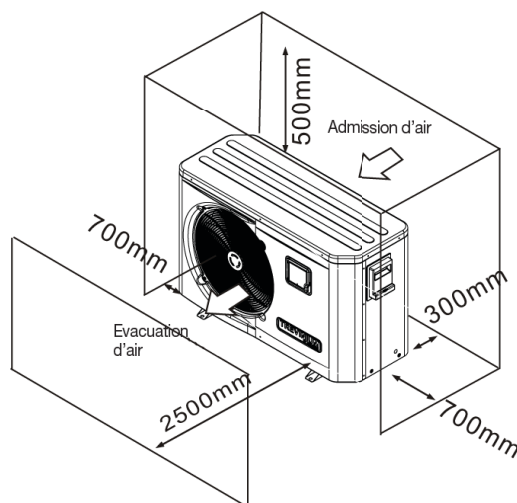
L'unité remplit correctement ses fonctions à tout emplacement externe, à condition que les trois facteurs suivants soient présents :

1. Air neuf - 2. Electricité - 3. Tuyauterie destinée au filtre de la piscine

L'unité peut être installée quasiment à tout endroit, à l'extérieur. En ce qui concerne les piscines intérieures, veuillez contacter le fournisseur. Contrairement à un chauffe-eau à gaz, elle ne pose pas de problème d'appels d'air ou de veilleuses dans les zones ventées.

NE PLACEZ pas l'unité au sein d'une zone fermée, ayant un volume d'air restreint : l'air refoulé par les unités sera recyclé.

NE PLACEZ pas l'unité auprès d'arbustes, qui peuvent bloquer l'entrée d'air. A ces emplacements, l'unité ne peut plus bénéficier d'une source continue d'air neuf, ce qui réduit son efficacité et peut empêcher une puissance calorifique adéquate.



3.3 A quelle distance de la piscine l'installer ?

En temps normal, la thermopompe est installée à moins de 25 pieds de la piscine. Plus la pompe est éloignée de la piscine, plus la déperdition thermique à partir de la tuyauterie est élevée. La majeure partie de la tuyauterie est enterrée. De fait, la déperdition thermique est minimale pour des distances allant jusqu'à 50 pieds (50 pieds jusque et à partir de la pompe, à savoir 100 pieds au total), hormis si le sol est humide ou que le niveau hydrostatique est élevé). Selon une estimation très approximative, la déperdition thermique s'élèverait à 0,6 Kw/heure pour 100 pieds, (2000BTU) pour toute différence de température égale à 5 degrés entre l'eau de la piscine et le sol entourant la tuyauterie, ce qui rallonge de 3 à 5 % la durée de service pour que l'eau atteigne la température souhaitée.

3. INSTALLATION ET RACCORDEMENT

3.4 Installation des conduites

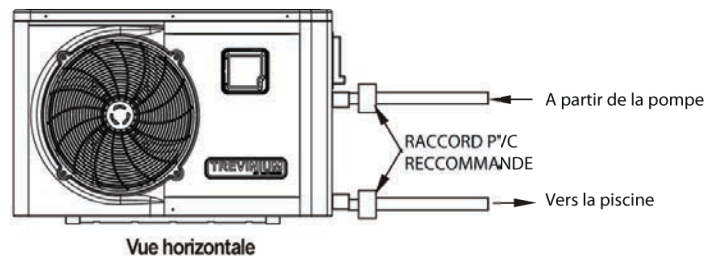
L'échangeur thermique au titane à débit nominal, exclusif, des thermopompes pour piscine ne requiert pas d'installation de conduites spécifiques, hormis la dérivation (le débit est défini conformément à la plaque signalétique). Pour un débit maximal, la diminution de la pression de l'eau est inférieure à 10 kPa/1.5 psi. Du fait qu'il n'existe pas de chaleur résiduelle ou température de flamme, l'unité ne requiert pas de tuyauterie en cuivre destinée à la dissipation thermique. Les tuyaux en PVC peuvent s'étendre directement jusqu'à l'unité.

Emplacement : raccordez l'unité à la conduite de refoulement (retour) de la pompe pour piscine, en aval de l'ensemble des pompes filtrantes et pour piscine, et en amont de tous les chlorateurs, ozonateurs ou pompes chimiques.

Vous devez utiliser des raccords en pvc male vissé 1½" pour vous adapter sur la thermopompe.

Veillez ajouter un raccord rapide au niveau de l'entrée et de la sortie de l'unité, afin de simplifier la purge durant la période hivernale, et de faciliter l'accès, si un entretien s'avère nécessaire.

Condensation : la thermopompe refroidissant l'air d'environ 4 à 5 degrés, l'eau peut se condenser sur les ailettes de l'évaporateur, en forme de fer à cheval. Si l'humidité



relative est très élevée, la quantité d'eau condensée peut s'élever à plusieurs litres par heure. L'eau descend le long des ailettes, pour parvenir dans bac collecteur, et est évacuée grâce au dispositif de purge destiné à la condensation, en matière plastique et cannelé, situé sur le côté du bac collecteur. Ce dispositif a été conçu pour recevoir un tubage de déversement en vinyle de 3/4", qui peut être posé à la main et s'adapter sur une purge appropriée. On peut facilement confondre la condensation et une fuite d'eau au sein de l'unité.

NB : pour vérifier rapidement que cette eau provient de la condensation, arrêtez l'unité et maintenez la pompe de la piscine en service. Si l'eau ne s'écoule plus du bac collecteur, il s'agit de condensation. UN TEST ENCORE PLUS RAPIDE consiste à TESTER LA PRESENCE DE CHLORE DANS L'EAU DE PURGE. Si elle ne contient pas de chlore, il s'agit de condensation.

3. INSTALLATION ET RACCORDEMENT

3.5 Raccordement électrique

REMARQUE : bien que l'échangeur thermique de l'unité soit isolé électriquement du reste de l'unité, il empêche tout simplement à l'électricité de circuler vers et en provenance de l'eau de la piscine. Il est tout de même nécessaire de mettre l'unité à la masse pour vous protéger des courts-circuits au sein de l'unité.

REMARQUE : vérifiez que l'alimentation électrique disponible et la fréquence du réseau correspondent au courant de fonctionnement requis, en prenant en considération l'emplacement spécifique de l'appareil, et le courant nécessaire pour alimenter tout autre appareil connecté au même circuit.

- 1) Observez le schéma de câblage, chapitre 6.3
- 2) Vérifiez que l'unité est alimentée avec la tension spécifiée. Le bloc de jonction se trouve du côté droit de l'unité. Trois connexions sont destinées à l'alimentation électrique, et deux à la commande de la pompe filtrante (subordination). La ligne d'alimentation électrique doit être dotée, de manière appropriée, d'un fusible de type alimentation moteur ou d'un disjoncteur afin d'éviter des surtensions sur le circuit (voir la plaque signalétique pour connaître la tension concernée).
- 3) Prenez toujours garde d'arrêter l'alimentation principale avant d'ouvrir la boîte de commande électrique.

3.6 Premier démarrage

Procédure de démarrage - une fois l'installation terminée, suivez les étapes suivantes :

- 1) Mettre en marche la pompe et vérifier l'arrivée et la sortie d'eau de la piscine.
- 2) Vérifiez que tous les robinets d'eau sont ouverts, et que l'eau s'écoule vers l'unité avant de passer au chauffage ou refroidissement.
- 3) Assurez-vous que l'unité est connectée correctement à l'alimentation principale (voir le schéma de câblage ou chapitre 6).
- 4) Faites pivoter le ventilateur à la main afin de vérifier qu'il peut tourner librement, et que la turbine est fixée correctement sur l'arbre du moteur.
- 5) Vérifiez que le tuyau de purge du condensat est fixé correctement, et ne présente aucune obstruction.
- 6) Activez l'alimentation électrique destinée à l'unité, puis appuyez sur le bouton On/Off sur le panneau de commande.
- 7) Assurez-vous qu'aucun code d'ALARME ne s'affiche lorsque l'unité est sur ON (voir guide de dépannage).
- 8) Fixez le débit d'eau à l'aide de la vanne by-pass (voir chapitre 3.1), tel que prévu respectivement pour chaque modèle (voir la plaque signalétique ou le chapitre 2), de manière à obtenir une différence de température sur l'eau de 2°C.
- 9) Après un fonctionnement durant quelques minutes, vérifiez que l'air quittant l'unité s'est refroidi (entre 5 et 10°).
- 10) L'unité étant en service, désactivez la pompe filtrante. L'unité devrait également s'arrêter automatiquement.
- 11) Faites fonctionner l'unité et la pompe de la piscine 24 heures sur 24, jusqu'à ce que la température de l'eau souhaitée soit atteinte. Quand la température de l'eau entrante atteint la valeur définie, l'unité s'arrête. Elle redémarre alors automatiquement (tant que la pompe de la piscine est en service) si la température de la piscine est inférieure d'au moins 2° C à la température définie.

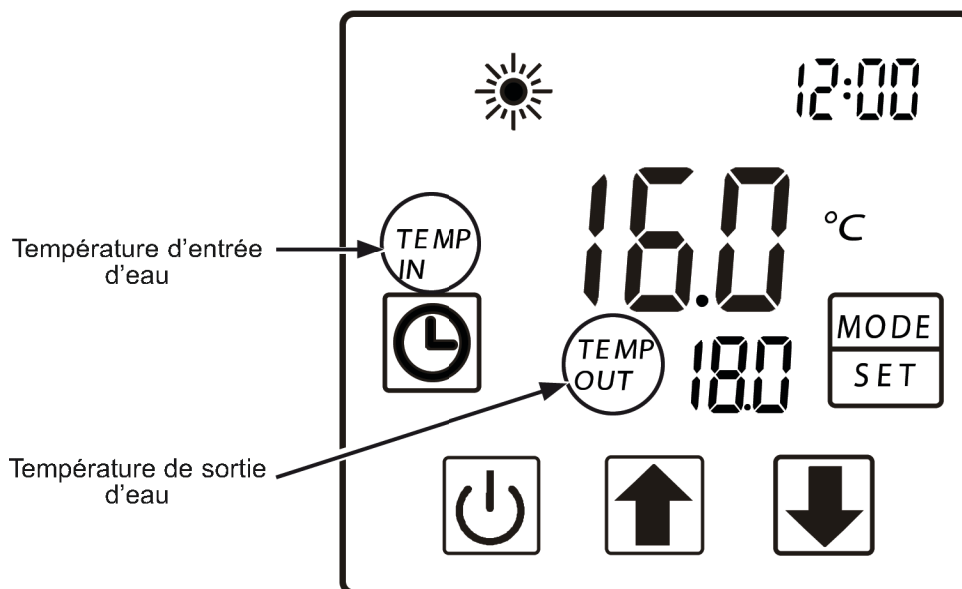
Contrôleur de débit - L'unité est dotée d'un contrôleur de débit qui active la pompe à chaleur lorsque la pompe de filtration de la piscine est en service, et la désactive lorsque la pompe de la filtration est hors service. Par manque d'eau, le code d'alarme EE3 s'affiche sur le régulateur (Voir chapitre 5.2).

Temporisation - l'unité est dotée d'un temporisateur réglé sur 3 minutes intégré, afin de protéger les composants du circuit de commande et d'éliminer toute instabilité en termes de redémarrage, et toute interférence au niveau du contacteur. Grâce à cette temporisation, l'unité redémarre automatiquement environ 3 minutes après toute coupure du circuit de commande. Même une coupure de courant de courte durée active le temporisateur réglé sur 3 minutes, et empêche tout démarrage de l'unité jusqu'à ce que la durée limite de 3 minutes se soit écoulée. Des coupures de courant pendant la période de temporisation n'ont aucun effet sur la durée limite de 3 minutes.

3. INSTALLATION ET RACCORDEMENT

3.7 Réglage du débit d'eau

Les vannes d'entrée et de sortie d'eau étant ouvertes, ajuster la vanne dite "by-pass" de façon à obtenir une différence de 2°C entre la température d'entrée et de sortie d'eau (voir schéma de principe § 3.1). Vous pouvez vérifier le réglage en visualisant les températures entrée/sortie directement sur le panneau de commande.

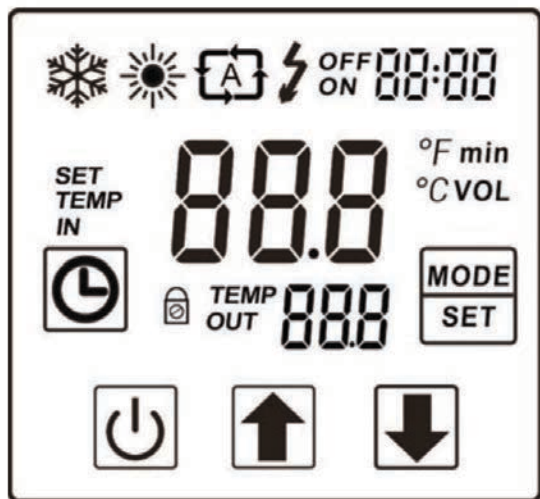


Note : L'ouverture de la vanne dite "by-pass" engendre un débit moins important d'ou une augmentation du ΔT .
La fermeture de la vanne dite "by-pass" engendre un débit plus important d'ou une diminution du ΔT .





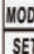



4. UTILISATION ET FONCTIONNEMENT

4.1 Fonction du contrôleur LCD

L'interface utilisateur et l'utilisation comme suit:



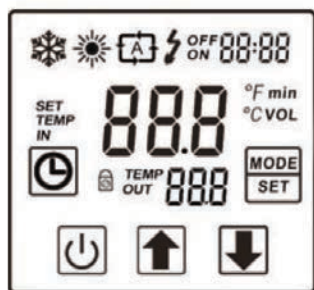
Directions

-  Symbole du réfrigérant, allumé lors de la réfrigération (ON/OFF No LIMIT)
-  Symbole du chauffage, allumé lors du chauffage (ON/OFF No LIMIT)
-  Symbole du mode Automatique (Temporairement)
-  Horloge, bouton de minuterie
-  Bouton d'outil
-  ON/OFF bouton, bouton annulations (annule l'opération courante, revenir à la opération précédente)
-  Vers le bas
-  Vers le haut

4.2 Utilisation du contrôleur

1) Électrification

Après avoir vérifié que tout fonctionne, faire passer le courant et mettre en veille, avec l'écran qui affiche ce qui suit



Affichage d'heure (24 heures, c.a.d. l'écran montre 21 :00 PM)

Appuyer sur "  " pour 2 secondes jusqu'au message suivant sur l'écran

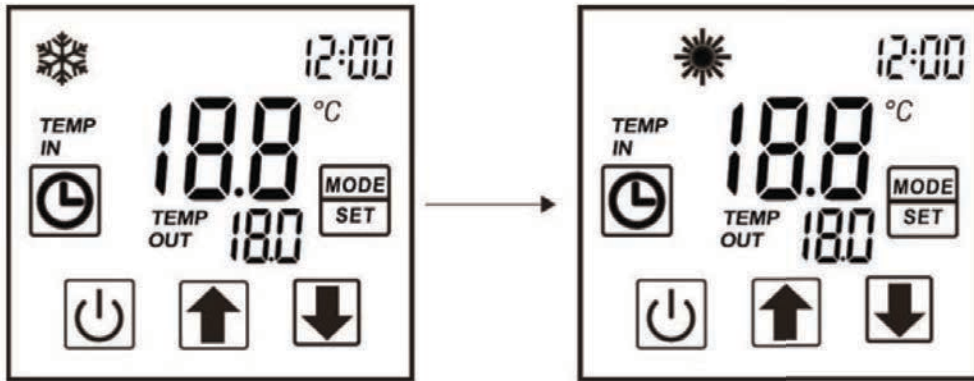


Pavillon d'aspiration de la température du réservoir





Sortie de la température du réservoir





4. UTILISATION ET FONCTIONNEMENT

- 2) Sur le menu défaut, appuyer sur  pendant 2 secondes et l'unité va changer entre le mode chauffage ou le mode refroidissement de l'eau

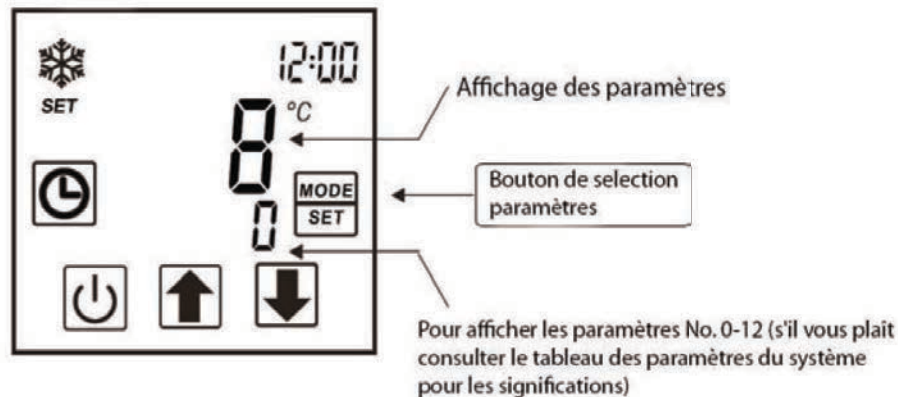


3) Choix des paramètres

1. En mode refroidissement, dans le menu défaut, appuyer sur  "or"  afin de changer la valeur du paramètre 00
2. En mode chauffage, dans le menu défaut, appuyer sur  "or"  afin de changer la valeur du paramètre 01








3. Appuyer une fois sur  afin d'être dans le menu Paramètre, appuyer sur  "or"  afin de sélectionner divers paramètres. Appuyer sur le bouton Outil encore, changement des paramètres, 00 et 01 peuvent être modifiés dans cet état de démarrage. D'autres paramètres ne peuvent être modifiés par vous-même. En appuyant longuement sur l'interface De-Bug jusqu'à  10 secondes, le

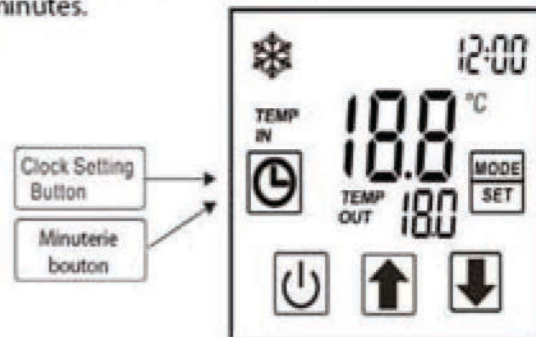
panneau de contrôle va automatiquement être en mode de débogage. Dans ce menu, tous les paramètres peuvent être modifiés dans cet état de démarrage. Après, une remise en alimentation, le menu de débogage n'autorise plus à ré-entrer.







4. UTILISATION ET FONCTIONNEMENT


4) Réglage de l'heure

Appuyer sur  deux chiffres de l'horloge se met à clignoter, appuyer  de nouveau sur le bouton, les heures commencent à clignoter, à ce moment en appuyant  -  modifier les heures seulement. Appuyer sur  une fois de plus, les minutes se mettent à clignoter, à ce moment en appuyant sur   modifier les minutes.





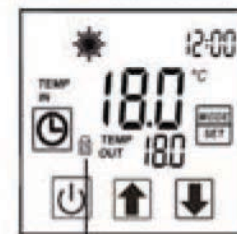
5) Minuterie

Appuyer sur  deux chiffres de l'horloge se met à clignoter, appuyer   de nouveau sur le bouton, sélectionner les paramètres de la minuterie. Si ON, les heures et les minutes commencent à clignoter ensemble, continuer en appuyant sur  afin d'entrer dans le réglage de la minuterie. (Suivre les

étapes du réglage de l'heure) Si OFF les heures et les minutes commencent à clignoter ensemble, continuer en appuyant sur  afin d'entrer dans le réglage de la minuterie

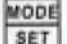

6) Verrouillage des touches

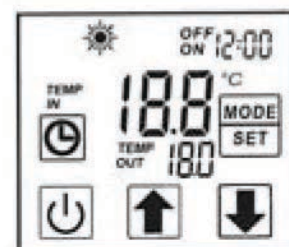
Appuyer longuement sur  pendant 5 secondes sur le menu défaut, le clavier peut être verrouillé, affichant une icône .



Verrou du clavier

7) Affichage de la conversion de la température

Appuyez sur  et  en même temps pendant 5 secondes pour choisir l'affichage en Celsius ou en Fahrenheit



4. UTILISATION ET FONCTIONNEMENT

4.3 Tableau des paramètres

Chiffre	Signification	Intervalle	Valeurs par défaut	Ajuster(oui / non)
R01	Temp. de l'eau de retour Réglage (mode refroidissement)	/	27°C	Réglable
R02	Temp. de l'eau de retour Réglage (mode chauffage)	18-35	27°C	Réglable
R03	Temp. de l'eau de retour Réglage (mode automatique)	/	27°C	Réglable
T02	Temp. de l'eau à l'entrée	/	Données résultant d'essais véritables	
T03	Temp. de l'eau à la sortie	/	Données résultant d'essais véritables	
T04	Temp. du tuyau	/	Données résultant d'essais véritables	
T05	Temp. ambiante	/	Données résultant d'essais véritables	
T01	Temp. de l'évaporateur	/	Données résultant d'essais véritables	

5. ENTRETIEN ET INSPECTION

5.1 Entretien

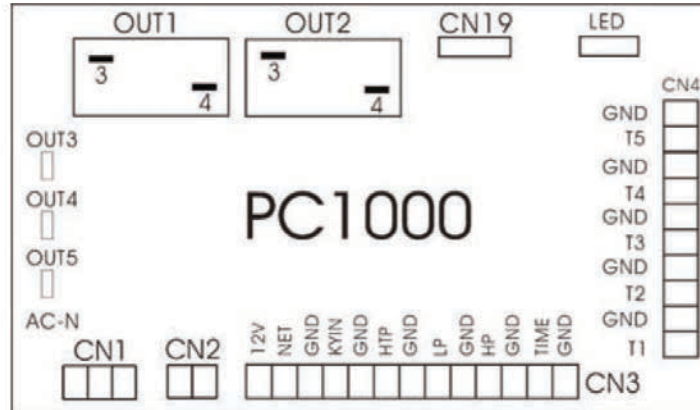
- Vérifiez souvent le dispositif d'alimentation en eau et le déverrouillage. Vous devez éviter l'état où ni de l'eau ni de l'air ne pénètre dans le système, étant donné que cela influence les performances et la fiabilité de l'unité. Veuillez nettoyer régulièrement le filtre de la piscine / spa, afin d'éviter tout endommagement de l'unité lié à l'obstruction du filtre.
- La zone entourant l'unité doit être sèche, propre et bien ventilée. Nettoyez régulièrement l'échangeur thermique afin de préserver un bon échange thermique, et donc d'économiser l'énergie.
- La pression de fonctionnement du système refroidisseur doit uniquement être traitée par un technicien spécialisé.
- Vérifiez souvent l'alimentation électrique et le raccordement des câbles. Si l'unité commence à connaître des dysfonctionnements, désactivez-la, et contactez votre technicien qualifié.
- Videz toute l'eau de la pompe à eau et du système d'alimentation en eau, de telle sorte que l'eau entrant dans la pompe ou dans le système d'alimentation en eau ne puisse pas se congeler. Vous devez évacuer l'eau présente au fond de la pompe à eau si l'unité n'est pas utilisée sur une durée prolongée. Veuillez vérifier minutieusement l'unité et remplir complètement le système d'eau avant de l'utiliser pour la première fois, après une inutilisation sur une longue durée.
- L'installation doit être réalisée en conformité avec le Code national de l'électricité et uniquement par le personnel autorisé.

5.2 Guide de dépannage

Dysfonctionnement	Contrôleur LCD	Raison	Solution
Défaut sonde entrée d'eau	P01	Le capteur est ouvert ou présente un court-circuit	Vérifiez ou remplacez le capteur
Défaut sonde sortie d'eau	P02	Le capteur est ouvert ou présente un court-circuit	Vérifiez ou remplacez le capteur
Défaut sonde de dégivrage	P05	Le capteur est ouvert ou présente un court-circuit	Vérifiez ou remplacez le capteur
Défaut sonde température extérieure	P04	Le capteur est ouvert ou présente un court-circuit	Vérifiez ou remplacez le capteur
Différence de température entre l'eau en sortie et l'eau en entrée	E06	Débit d'eau en volume insuffisant, différence de pression d'eau trop faible / trop élevée	Vérifiez le débit d'eau, ou l'obstruction du système.
Antigel en mode refroidissement	E07	Quantité d'eau sortante trop faible	Vérifiez le débit d'eau, ou le capteur de température d'eau sortante.
Protection antigel de première classe en hiver	E19	Température ambiante, ou de l'eau entrante trop faible	
Protection antigel de seconde classe en hiver	E29	Température ambiante, ou de l'eau entrante encore plus faible	
Protection haute pression	E01	Pression du système de gaz trop élevée, ou débit d'eau trop faible, ou évaporateur obstrué, ou débit d'air trop faible	Vérifiez le pressostat haute pression et la pression du système de gaz pour évaluer si la boucle de gaz est bloquée ou le fréon n'est pas suffisant
Protection basse pression	E02	Pression du système de gaz trop faible, ou débit d'air trop faible ou évaporateur obstrué	Vérifiez le pressostat basse pression et la pression du système de gaz pour évaluer s'il existe une fuite ou le fréon n'est pas suffisant
Flux par défaut	E03	Eau absente / peu d'eau dans le système d'alimentation en eau.	Vérifiez le débit d'eau, vérifiez la pompe à eau et le régulateur de débit pour voir s'ils présentent d'éventuels dysfonctionnements.
Temp. à l'entrée et à la sortie de l'eau, 3 fois Protection de l'écart en 30 minutes	E06	Débit d'eau insuffisant	Vérifiez le débit d'eau, ou si le système d'alimentation en eau est bloqué.
Cycle de dégivrage	Affichage du code de dégivrage		
Problème de communication	E08	Dysfonctionnement du contrôleur LED ou de la connexion PCB	Vérifier la connexion des câbles

6. ANNEXE

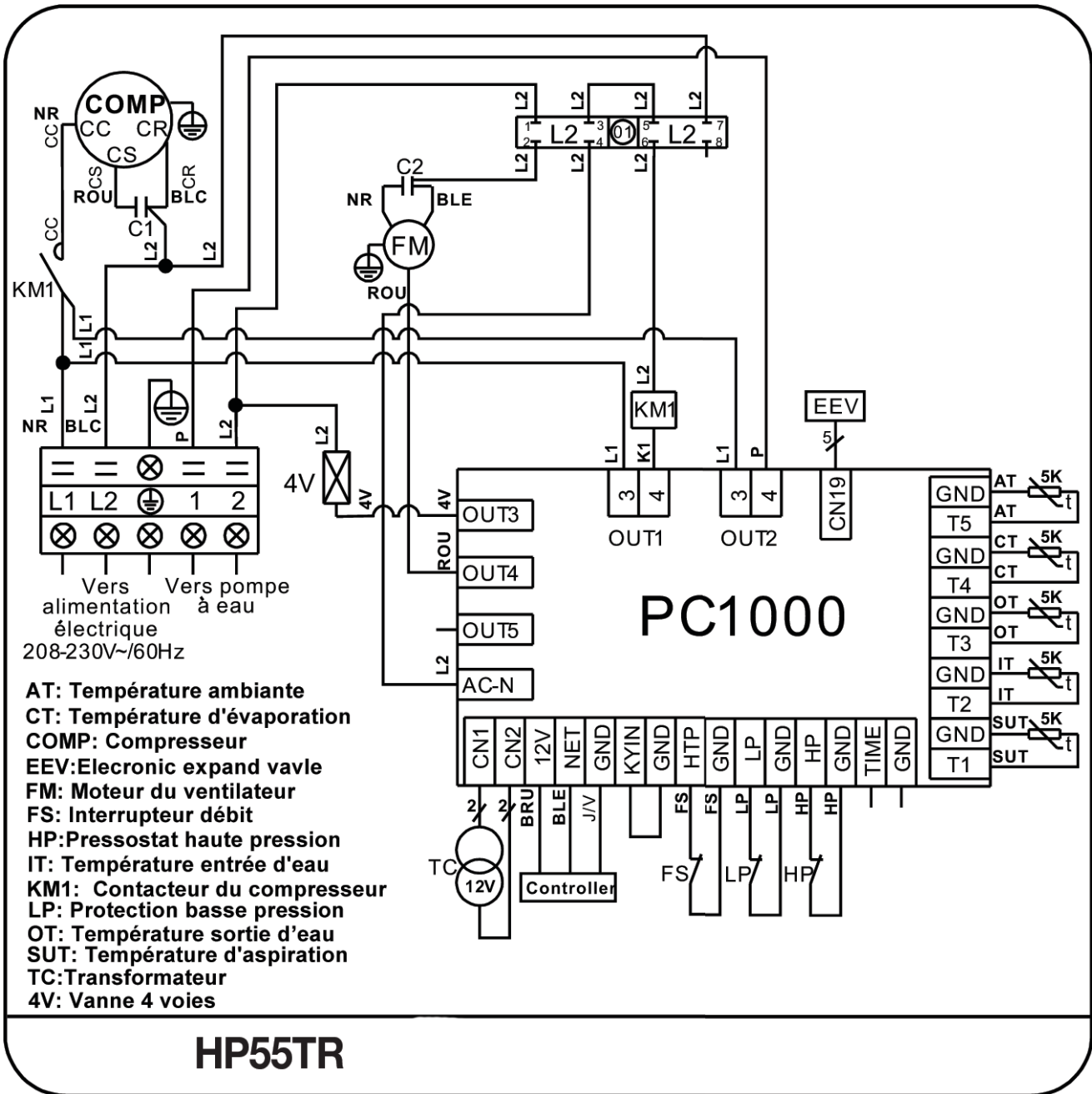
6.1 Schématique de raccordement du PCB



No.	symbol	Signification
1	OUT1	Compresseur du système 1 (220-230VAC)
2	OUT2	Pompe de filtration (220-230VAC)
3	OUT3	Valve 4 voies (220-230VAC)
4	OUT4	Moteur de ventilateur à grande vitesse (de 220 à 230 volts c.a.)
5	OUT5	Moteur de ventilateur à faible vitesse (de 220 à 230 volts c.a.)
6	AC-N	Fil de neutre
7	NET GND 12V	Alimentation du controleur externe
8	KYIN	Entrée de l'interrupteur marche/arret
9	HTP GND	Entrée du détecteur de débit (NC)
10	LP GND	Sonde de protection basse pression
11	HP GND	Sonde de protection haute pression
12	TIME GND	Aucune utilisation
13	T1 GND	Temp. à l'aspiration (entrée)
14	T2 GND	Température de l'eau à l'entrée
15	T3 GND	Température de l'eau à la sortie
16	T4 GND	Temp. du serpentín (entrée)
17	T5 GND	Température ambiante (entrée)

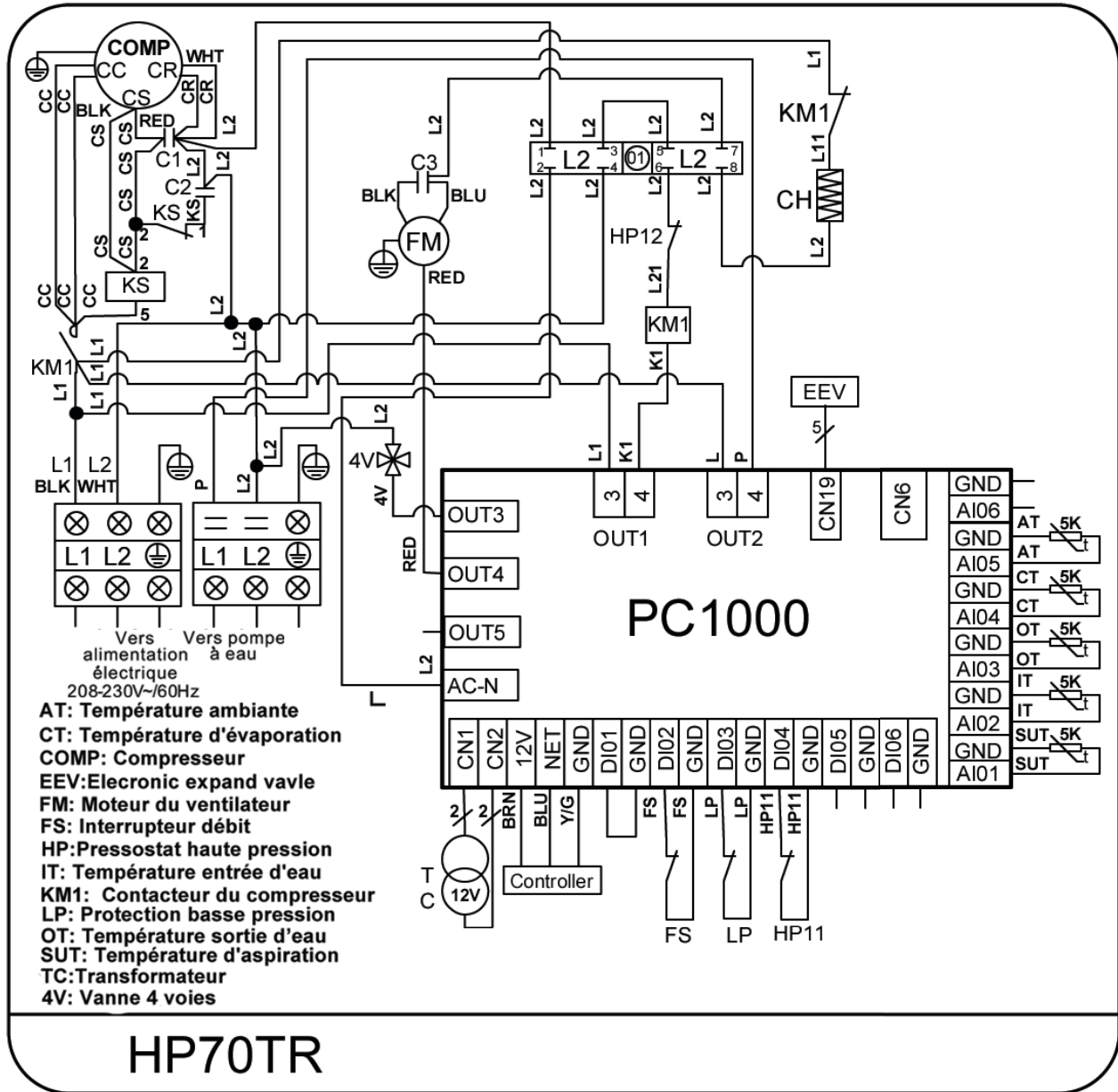
6. ANNEXE

6.2 Scéma de câblage - HP55TR



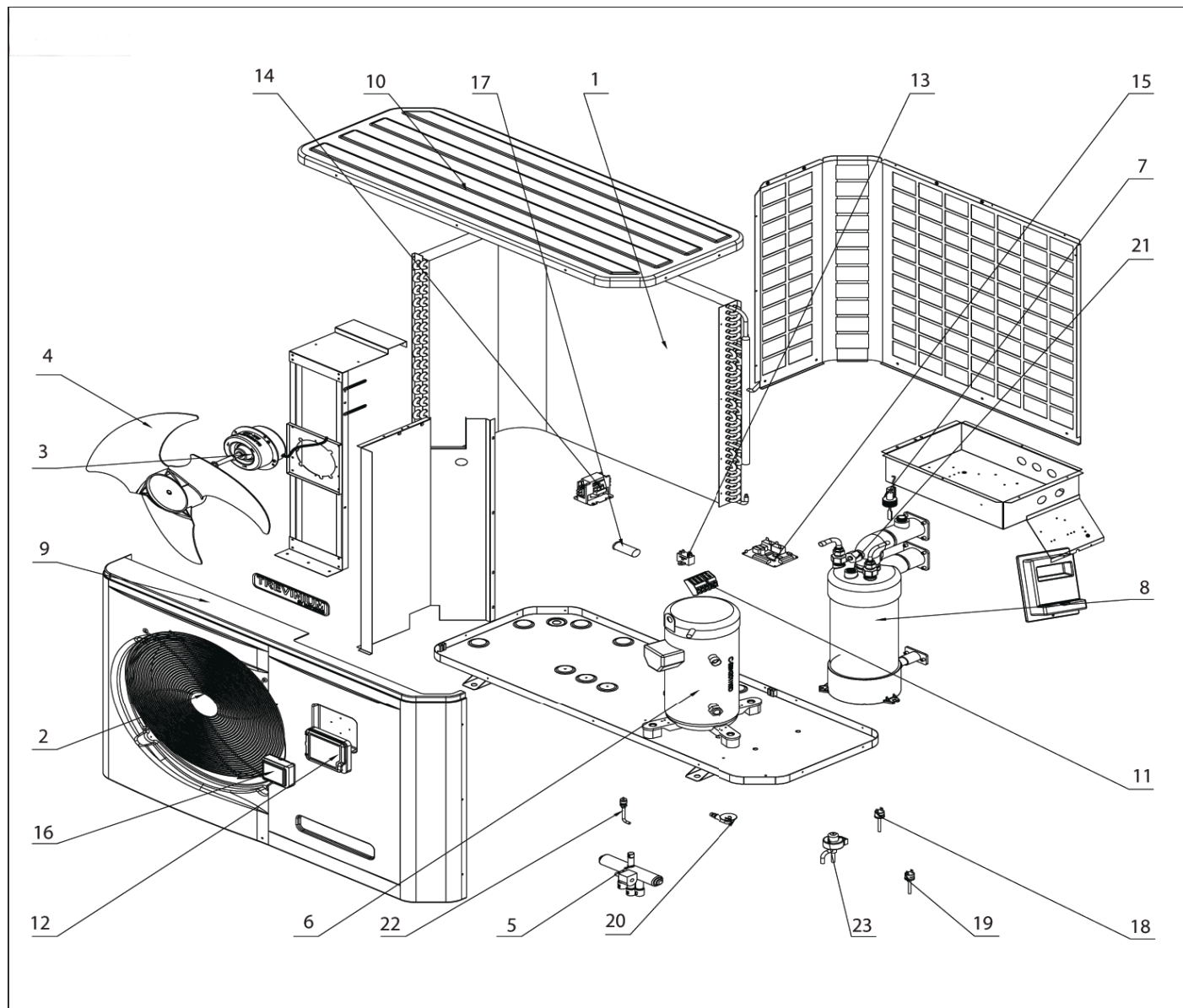
6. ANNEXE

6.2 Schéma de câblage - HP70TR



6. ANNEXE

6.3 Vue éclatée - HP55TR



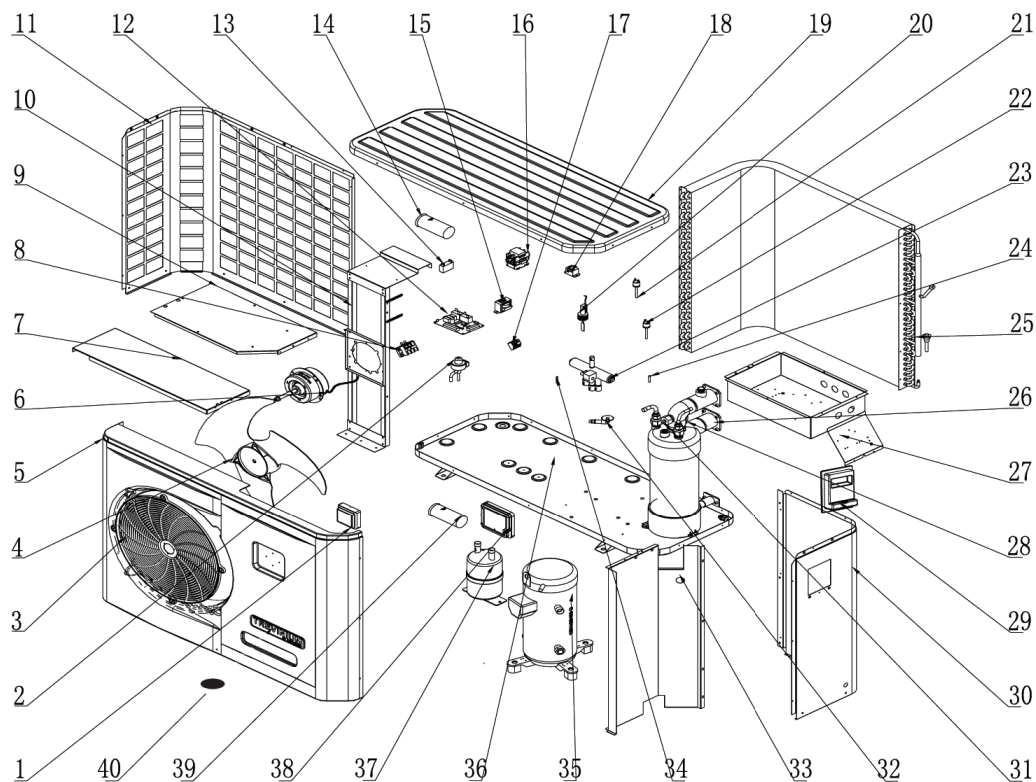
6. ANNEXE

6.3 Liste des pièces - HP55TR

SN	Référence de la pièce	Nom de la pièce	No. de pièce
1	3407-1202	Evaporateur	HPX3407-1202
2	20000-220188	Plastique de protection du ventilateur	HPX20000-220188
3	20000-330124	Moteur de ventilateur	HPX20000-330124
4	3500-2701	Ventilateur axial	HPX3500-2701
5	2004-1437	Vanne 4 voies	HPX2004-1437
6	20000-110041	Compresseur	HPX20000-110041
7	20000-360005	Détecteur de débit d'eau	HPX20000-360005
8	32008-120008	Echangeur de chaleur en Titane	HPX32008-120008
9	32008-220020	Panneau de façade	HPX32008-220020
10	32008-220021	Panneau du haut	HPX32008-220021
11	2001-3907	Bornier	HPX2001-3907
12	20000-220068	Couvercle étanche	HPX20000-220068
13	2000-3501	Condensateur de ventilateur	HPX2000-3501
14	20000-360006	AC contacteur	HPX20000-360006
15	95005-310145	Carte de contrôle	HPX95005-310145
16	95005-310247	Unité de commande de l'ACL	HPX95005-310247
17	2000-3505	Condensateur du compresseur	HPX2000-3505
18	2000-3603	Pressostat basse pression	HPX2000-3603
19	2001-3605	Pressostat haute pression	HPX2001-3605
20	2001-1345	Bouchon de drainage	HPX2001-1345
21	2000-3242	Capteur (d'eau et de l'air)	HPX2000-3242
22	20000-140152	Vanne à aiguille	HPX20000-140153
23	2003-1402	Détendeur électronique	HPX2003-1402

6. ANNEXE

6.3 Vue éclatée et liste des pièces - HP70TR



No.	Référence de la pièce	Nom de la pièce	No.	Référence de la pièce	Nom de la pièce
1	HPX95005-310247	Unité de commande de l'ACL	21	HPX2001-3605	Pressostat haute pression
2	HPX20000-140151	Détendeur électronique	22	HPX2000-3603	Pressostat basse pression
3	HPX20000-220169	Grillage protecteur du ventilateur	23	HPX2001-1491	Vanne 4 voies
4	HPX20000-270004	Pale de ventilateur	24	HPX2000-3242	Capteur thermique en serpent
5	HPX32009-22015	Panneau de façade	25	HPX35012-120001	Serpentin à ailettes
6	HPX20000-330134	Moteur de ventilateur	26	HPX32010-120003	Condensateur au titane - PVC
7	N/A	Boîtier du ventilateur	27	N/A	Capot électrique
8	HPX2001-3906	3 connexions du bloc de raccordement	28	HPX2000-3242	Capteur de sortie d'eau
9	N/A	Couvercle de coffret électronique	29	N/A	Couvercle de protection
10	N/A	Support du moteur de ventilateur	30	N/A	Panneau à droite
11	N/A	Face arrière	31	HPX2000-3242	Capteur de prise d'eau
12	HPX95005-310145	Carte de circuits imprimés	32	HPX3400-2203	Raccord de la vidange
13	HPX2000-3509	Condensateur du moteur de ventilateur	33	N/A	Mur central
14	HPX2000-3510	Condensateur du compresseur (60uF)	34	HPX2000-3242	Capteur thermique de l'air
15	HPX20000-370003	Transformateur 230~ -12V~	35	HPX20000-110142	Compresseur
16	HPX20000-360007	Contacteur du compresseur	36	N/A	Panneau inférieur
17	HPX2001-3909	3 connexions du bloc de raccordement	37	HPX3500-1401	Réservoir de liquides
18	HPX20000-360035	Relay	38	HPX20000-220068	Couvercle étanche
19	N/A	Couvercle supérieur	39	HPX2000-3524	Condensateur du compresseur (98uF)
20	HPX20000-360005	Interrupteur de débit	40	HPX2000-1345	Bouchon de drainage

6. ANNEXE

6.4 Garantie

GARANTIE LIMITÉE DU MANUFACTURIER

La garantie Hayward couvre, à l'emplacement d'origine, la thermo-pompe contre tout défaut de pièces et fabrication pour un (1) an. Cette garantie couvre les pièces et la main d'oeuvre pour un (1) an et débute à la date d'achat.

Le compresseur a une garantie de deux (2) ans pièces seulement et la composante de l'échangeur en Titanium a une garantie de cinq (5) ans. La main d'oeuvre n'est couverte que pour une période de un (1) an. Hayward n'annulera pas cette garantie à cause d'une chimie de l'eau inadéquate. Cette garantie est valide si l'appareil a été installé selon les caractéristiques établies dans ce manuel.

Cette garantie n'inclut pas le service tels l'inspection, l'entretien ou les appels de service à cause de rapports d'opérations erronés, de la mauvaise position d'un robinet extérieur ou de la nécessité du soutien technique. Elle exclut également le réfrigérant, la réparation ou les dommages causés par la négligence, les accidents ou autres conditions supposant l'utilisation non appropriée de l'appareil. Cette garantie sera rendue nulle si le produit est réparé ou altéré d'une quelconque façon par une personne ou une entreprise autre que celles autorisées par HAYWARD. Cette Garantie a préséance sur toutes les autres garanties, expresses ou tacites, écrites ou orales. Il n'existe pas de garantie tacite de qualité marchande ou de bon fonctionnement couvrant cet appareil. Cette garantie s'applique seulement au Canada.

HAYWARD décidera s'il remplace ou répare toutes pièces de HAYWARD qui est défectueuse et si une des pièces est retournée à notre manufacture, les frais transport seront couverts, dans la période de garantie. Il est entendu que ce genre de remplacement ou de réparation soit la seule solution disponible de HAYWARD. À moins que le service ne soit autorisé par HAYWARD et exécuté par un centre de service autorisé par le manufacturier. HAYWARD n'est pas responsable des dommages de quelques sortes, incluant les accidents ou les dommages indirects. HAYWARD doit approuver le retour des pièces et les réparations seront exécutées dans les termes de cette garantie. Toutes les pièces retournées avant le terme de la garantie seront réparées, frais de port payés, dans les meilleurs délais et aux coûts les plus économiques.

